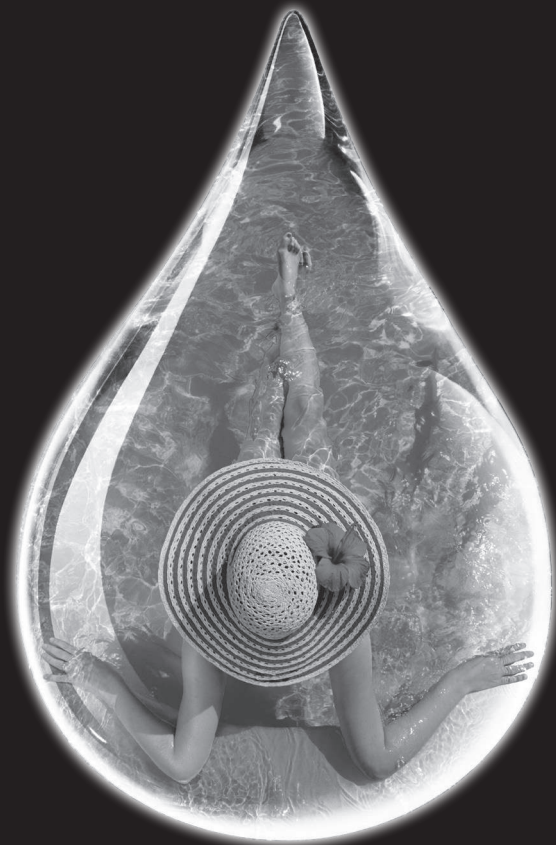


EVOLUTION Pool Heater

Installation & Operating Manual



ELECR

FLUID DYNAMICS

Contents

	Page
ENGLISH	1 - 11
ESPAÑOL	12 - 24
FRANÇAIS	25 - 36
DEUTSCH	37 - 48
PORTUGUÊS	49 - 60
ITALIANO	61 - 72
WIRING DIAGRAMS	73

Important Notes!

Thank you for purchasing the EVO direct electric swimming pool heater manufactured in England to the highest standards.

To ensure your new heater will give years of trouble free service **please carefully read the following instructions. Incorrect installation will affect your warranty.**

Do not discard this manual, please retain for future reference.

Product Overview

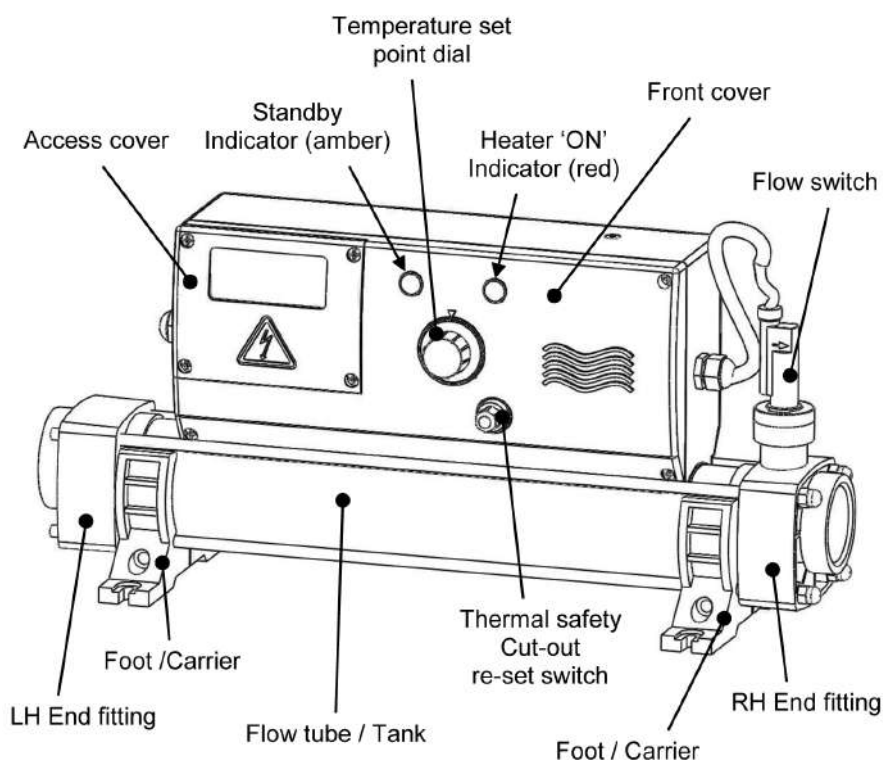


Fig 1.

Positioning

Your heater should be horizontally or vertically sited allowing sufficient space for pipe connections and wiring, it should be screw fixed securely to a firm base or wall.

NOTE: See figure 2 for details of the foot arrangement when securing to the wall or floor.

Floor mount 'Foot position'

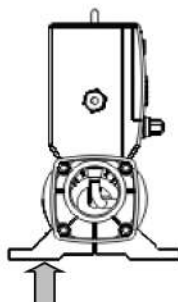
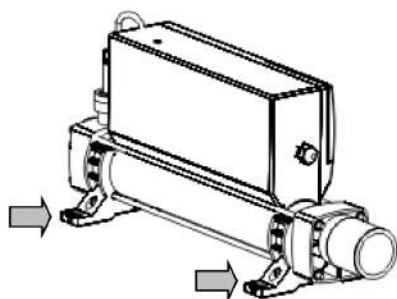
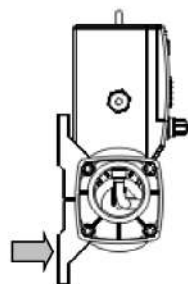
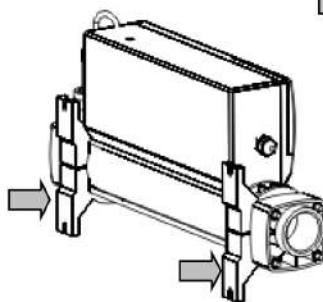


Fig 2.

*Factory set floor mount 'Foot position'
To reset for wall mount option, undo the bolts and re-assemble in the vertical position as shown.*



Wall mount 'Foot position'

The heater should be installed at a low point in the filtration system. It should be positioned downstream (after) of the filter and upstream (before) of any dosing or other water treatment plant. (see fig.3)

NOTE : If the flow direction is reversed (explained later in this booklet) the heater must remain sited after the filter.

Fig 3.

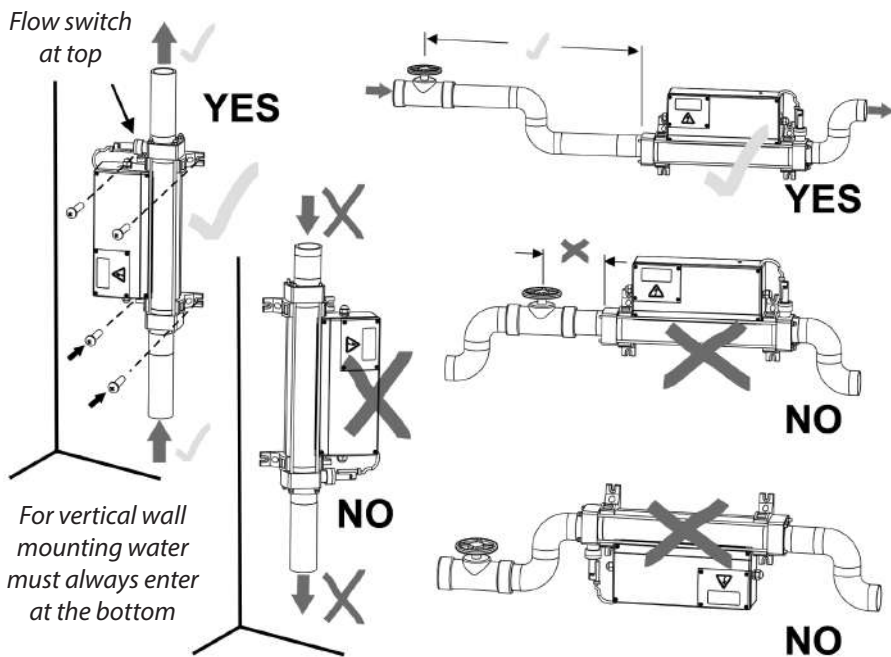
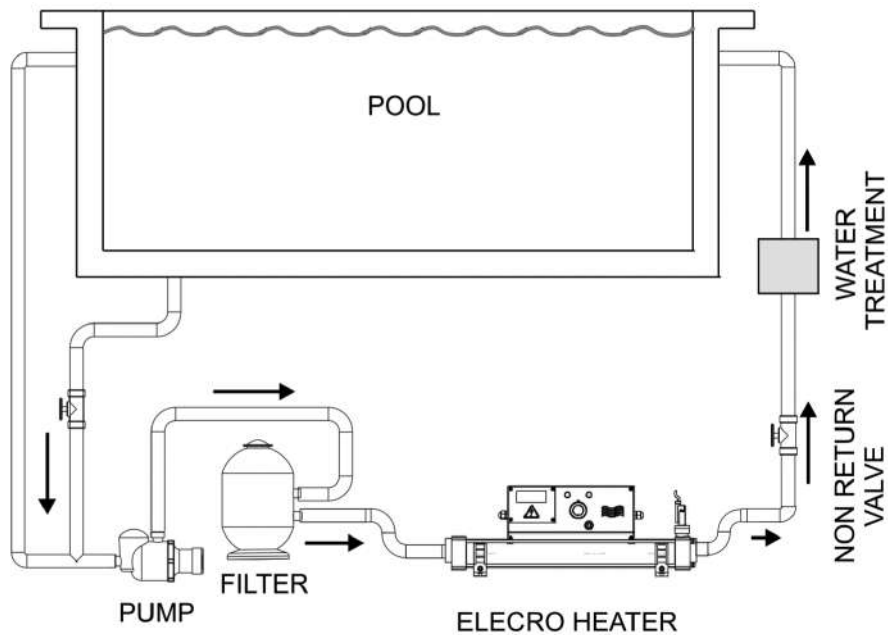


Fig 4.

Pipe Work

It is essential that the pipe work connecting to and from the heater has a minimum bore (internal diameter) of 1¼" (32mm). To assist correct air purging and to ensure the heater remains completely full of water during operation, the return pipe which carries the water back to the pool must incorporate a safety loop or 'kick-up' in the pipe as close as possible to the heater (see fig 4)

NOTE: When coupling to a flexible pipe a safety loop can simply be created by routing the pipe up and over an obstacle. Remember to use pipe clips to securely fasten all hose connections.

Weather Protection

The heater must be installed within a dry weather proof enclosure.

Caution! *If the heater is not used during winter months it must be drained to prevent frost damage.*

Electrical Connection

The heater must be installed in accordance with the country / regional requirements & regulations. In any event the work must be carried out by a qualified electrician, who will provide a certificate of conformity upon completion of the work. The power supply must be fitted with a RCD. If required your electrician may replace the supplied cable entry gland with a larger size to secure the cable powering the heater, this will not affect your warranty if carried out by a qualified electrician.

Cable section: This should be calculated at 5-amp / mm² for distances up to 20 metres (these sections are indicative and should be checked and adapted if necessary for cable lengths over 20 metres).

*Remove Access Cover
to make the electrical
connections
(Qualified electricians only)*

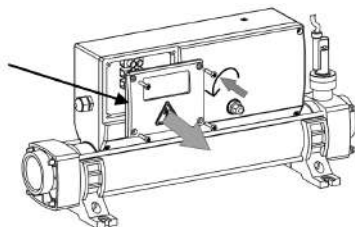


Fig 5.

Power Requirements

Power Output	Voltage (V)	Amp
2 - kW	230	9
3 - kW	230	13
4.5 - kW	230	20
6 - kW	230	27
9 - kW	230	40
12 - kW	230	53
15 - kW	230	66
18 - kW	230	79

3 Phase Power Output	400 V Star / 230 V Delta	Amp
6 - kW	400 / 230V	9 / 15
9 - kW	400 / 230V	13 / 23
12 - kW	400 / 230V	18 / 31
15 - kW	400 / 230V	22 / 38
18 - kW	400 / 230V	26 / 46
24 - kW	400	35

Flow Requirements

Your heater is factory set to accept input water flow entering on the left and exiting on the right, this can be reversed by rotating the flow switch 180 degrees (ie: ½ turn, see fig 6)

WARNING! The flow switch paddle can be damaged when reversing the flow direction if it is lifted by more than 5mm from its housing and turned with force. If the flow switch has been rotated it is important to ensure that it is finally locked in the correct orientation perpendicular (at right angles) to the flow of water.

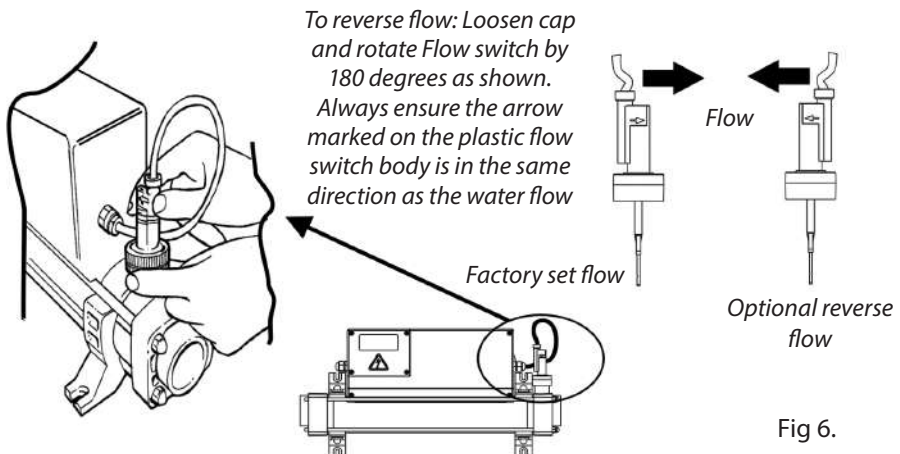


Fig 6.

The flow rate of water into the heater must not exceed 17,000 litres per hour (3,740 UK gallons/hour) A higher flow rate will require the installation of a bypass to prevent damage to the heater elements. The heater will not operate unless the following minimum flow rates are achieved ie:

1,000 litres / hour (220 UK gallons/hour) for 2 ~ 6-kW heaters and
4,000 litres / hour (880 UK gallons/hour) for 9 ~ 24-kW heaters.

Water Quality

The water quality **MUST** be within the following limits:

PH 6.8 - 8.0

TA (Total alkalinity) 80—140ppm (parts per million)

Chloride Content MAX: 150 mg/litre

Free Chlorine: 2.0 mg/litre

Total Bromine: Max 4.5 mg/litre

TDS (Total Dissolved Solids) / Calcium hardness 200— 1,000ppm

Stainless Steel heaters are **NOT** suitable for use on saline (salt) water pools.

ONLY heaters with titanium heating elements are suitable for use on saline (salt) pools.

Water chemistry is complicated if in doubt seek expert advise.

Operating Instructions

Upon completion of the installation, run the water-circulating pump to purge the system & heater of air (i.e. Remove any trapped air in the system & heater). **TIP:** You can encourage air out of the heater flow tube by gently elevating the exit port of the heater when the pump is running. On initial power up of the heater the amber light should illuminate.

The heater will only switch 'On' (red light indicator illuminated) and the amber light switching 'Off' when the following criteria are met ie:

- Water circulating pump is 'On' delivering in excess of the minimum flow rate of water (see flow requirement information)
- Temperature set point dial is set to a higher value than that of the water

Q: How long will it take to heat my pool?

A: **Assuming no heat losses**, and a heater sized in the ratio 1.5-kW per 1,000 UK gallons of water (4,545-litres): it will take 2 days of continuous running to raise the temperature of a pool from tap temperature to swimming temperature. Heat loss will slow the heating process, particularly during periods of cold weather, hence the higher the water temperature is to be maintained above average ambient air temperature, the slower the heating process will become.

The only influencing factors are the level of insulation and the location of the pool with regard to wind shelter.

Useful advice: *To reduce running costs and speed up the heating process; Insulate the pool wherever possible. A floating solar cover is an essential minimum to retain heat.*

Quick Function Test

Observe the main electricity meter when the heater is on (ie: red light 'On') and then observe it again when the heater is in the standby mode (ie: amber light 'On') The test should show that the meter is recording more electricity being used by the heater when the red light is 'On'. It is impossible for an electric heater to waste energy, if it is drawing power then that power will be turned into heat that will be transferred to the water.

Accurate Function Test

If a more accurate test is required to confirm that your heater is delivering the specified heat output, two electricity meter readings will need to be taken from the properties main electricity meter, with an exact one hour interval (ie: take one meter reading and then a second reading exactly one hour later) then by subtracting the first reading from the second reading the number of units (kilo watts kW) consumed can be calculated. Note that your heater is also rated in kW hours.

The pool pump and heater will need to be running continuously during the test (ie: with the heater red light 'On') To avoid inaccurate results when performing this test, it is important to refrain from using other high

current consuming appliances in the property (such as tumble dryer, showers, cookers etc). A large domestic pool pump of 1 horsepower will draw less than 1kW in a one hour period. The conclusion of the test should prove that for example a 6kW heater and a ½ horsepower pump will draw between 6.3-kW ~ 6.5-kW in one hour. It is impossible for an electric heater to waste energy, if it is drawing power then that power will be turned into heat that will be transferred to the water.

Trouble Shooting

HEATER WILL NOT SWITCH FROM STANDBY (AMBER LIGHT) TO ON (RED LIGHT)

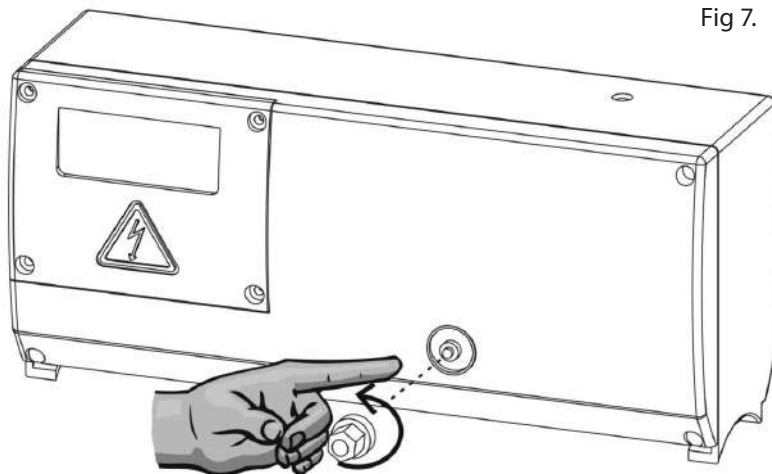
In most cases this will be the result of one of the following points not being met.

Possible cause 1: *The set point temperature has been achieved. To confirm increase the set point value by turning the temperature set point dial to a value greater than the current water temperature.*

Possible cause 2: *The 'thermal safety cut out' has tripped.*

Remedy: Remove button cover and press red button to re-set (see fig 7) If a positive click is felt, the cause of the tripping must be investigated and could be caused by a debris build-up or air pocket trapped inside the flow tube of the heater.

Fig 7.



Possible cause 3: *Insufficient flow.*

If using a cartridge filter: Confirm this by running the system with the cartridge removed from your pump & filter unit, this will supply the heater with the maximum flow rate your unit is capable of. If the heater then switches 'On' (ie: red light 'On') a blocked cartridge can be confirmed to be the cause. The cartridge should be cleaned or replaced.

If using a sand filter: Check the pressure indicator on your sand filter and back wash if necessary.

NOTE: In some cases the thermal safety cut-out tripping and a low flow rate can be linked ie: when a filter becomes choked air can be drawn into the filtration system and become trapped inside the heater so causing the thermostat to trip.

NO LIGHT APPEARS ON THE HEATER WHEN IT IS SWITCHED 'ON'

Possible cause: *Power failure external to the heater*

Remedy: Check any fuses, RCD or other switch components installed in the supply cable. **Note:** the heater is not fitted with a fuse.

THE FLOW TUBE DOES NOT FEEL WARM

Due to the high efficiency of your electric heater no warmth should be detectable from the flow tube of the heater.

The most likely causes of the flow tube feeling warm are:-

Possible cause 1: The heater has been positioned in direct sunlight.

Possible cause 2: An air pocket is trapped inside the heater particularly if the tank feels warmer at the highest point of the tank (as air rises)

THE WATER ENTERING MY POOL DOES NOT FEEL MUCH WARMER

The temperature gain of the water after it has passed through the heater will be directly proportional to the volume of water being pumped in relationship to the power output of the heater.

For example: A 6-kW heater, when connected to a 4,000 litre / hour pump, will produce a lift in temperature of approximately 1.2 °C (almost undetectable to the human hand) however, as the water being heated is re-circulated from a single body of water, the time required to heat it remains unaffected by the volume of flow. A popular misconception is that slowing down the flow rate will speed up the heating process.

RoHS Compliance Statement

Elecro Engineering Limited certify that our Electric Swimming Pool Heater Range complies in accordance with RoHS Directive 2002/95/EC on the restriction of hazardous substances.

Waste of Electrical / Electronic Equipment

This product complies with EU directive 2002/96/EC

Do Not dispose of this product as unsorted municipal waste.

This symbol on the product or on it's packaging indicates that this product should not be treated as household waste. Instead it should be handed over to the applicable collection point for the recycling of electrical and electronic equipment.



By ensuring this product is disposed of correctly you will help prevent potential negative consequences for the environment and human health, which could otherwise be caused by inappropriate waste handling of this product. The recycling of materials will help to conserve natural resources.

For more information please contact your local Civic office, your household waste disposal service or the retailer where you purchased the product.

Your heater is guaranteed from the date of purchase against faulty workmanship and materials ie: 2 years guarantee for incoloy heating element products and 3 years guarantee for titanium heating element products.

The manufacturer will replace or repair, at it's discretion, any faulty units or components returned to the company for inspection.
Proof of purchase may be required.

The manufacturer will not be liable in cases of incorrect installation of the heater, inappropriate use or neglect of the heater.

CE Declaration Of Conformity

The manufacturer declares that the herewith products or ranges

ELECTRIC SWIMMING POOL HEATER RANGE

Are in conformity with the provisions:
of the ELECTROMAGNETIC COMPATIBILITY directive 89/336/EEC, as amended 93/068/EEC. Controlled by AEMC Measures laboratory—
technical report no P96045T

The harmonised standards have been applied: EN 55014—EN 55104

EN 55011

EN 55022

CEI 801-4

CEI 801-2

CEI 801-3

of the LOW VOLTAGE directive 73/23/EEC.
The harmonised standards have been applied

EN 60335-2-35

Notas importantes!

Gracias por haber adquirido el calentador eléctrico para piscinas EVO, fabricado en Inglaterra según los estándares los más elevados.

Para asegurar una utilización sin problemas durante años, por favor **lea las instrucciones con atención. La instalación incorrecta afectará a su garantía.**

Guarde este manual para futuras referencias.

Descripción del producto:

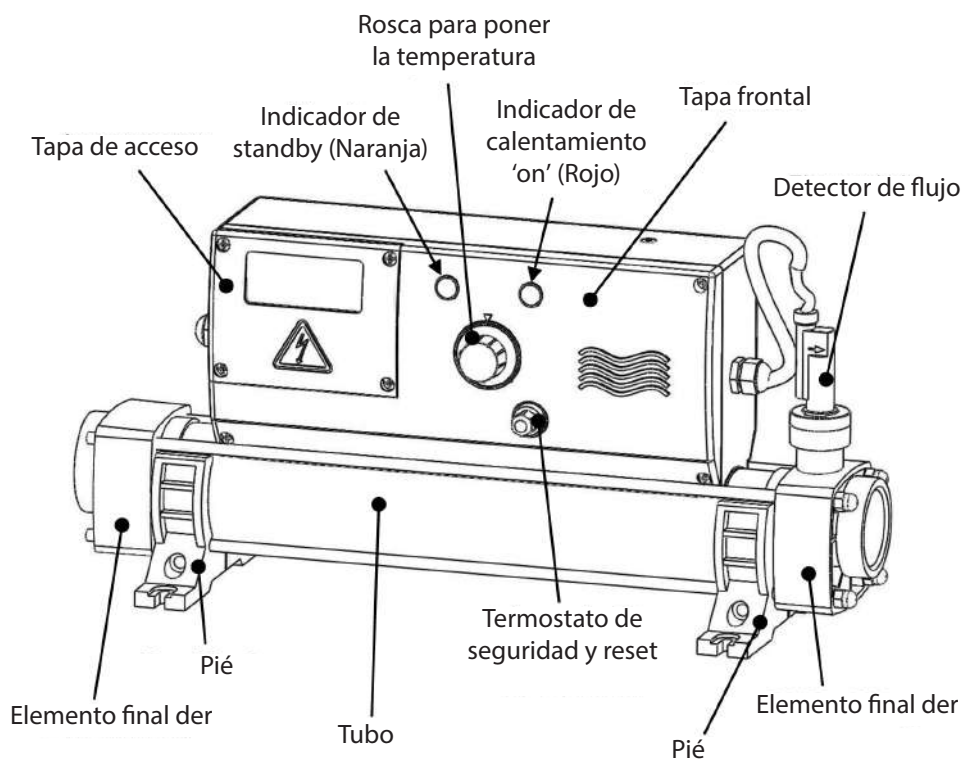


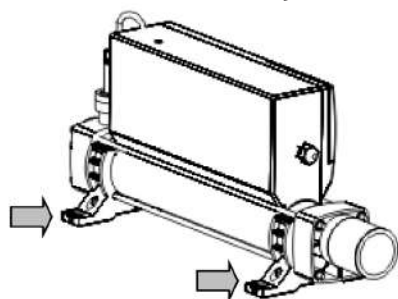
Fig 1.

Ubicación De La Unidad

Su calentador debería de estar situado de tal manera -verticalmente o horizontalmente- que deje espacio suficiente par a las tuberías y los cables, debe de estar atornillado y fijado de forma segura a una base firme o pared.

NOTA: Véase gráfico 2 para detalles acerca de las patas cuando haya que fijar en la pared o en el suelo.

Posición de las patas en fijación en el suelo



Posición establecida por la fábrica (montaje en el suelo). Para poder fijarlo en la pared, quiten los tornillos y vuelva a montar en posición vertical como se muestra.

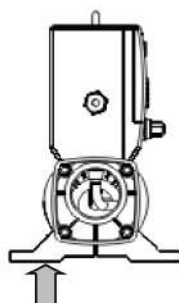
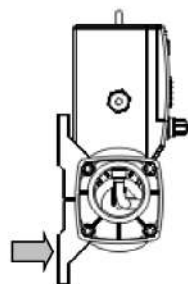
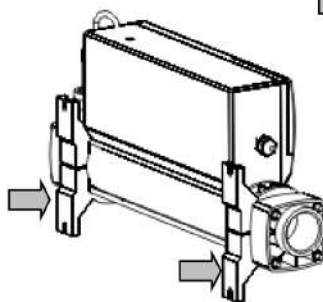


Fig 2.



Posición de las patas en fijación en la pared

El calentador debe instalarse en un punto bajo del sistema de filtración. Debe instalarse después del filtro y antes de los sistemas de dosificación o de tratamiento de agua (véase gráfico 3)

NOTA: Si la dirección de flujo esta cambiada (se explica mas adelante en el manual) el calentador debe de estar instalado después del filtro.

Fig 3.

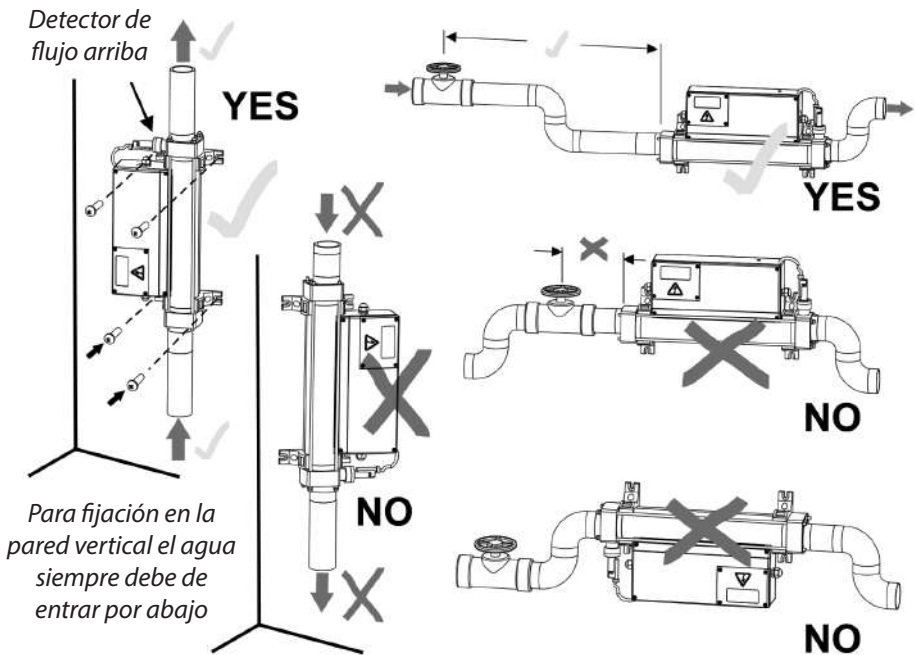
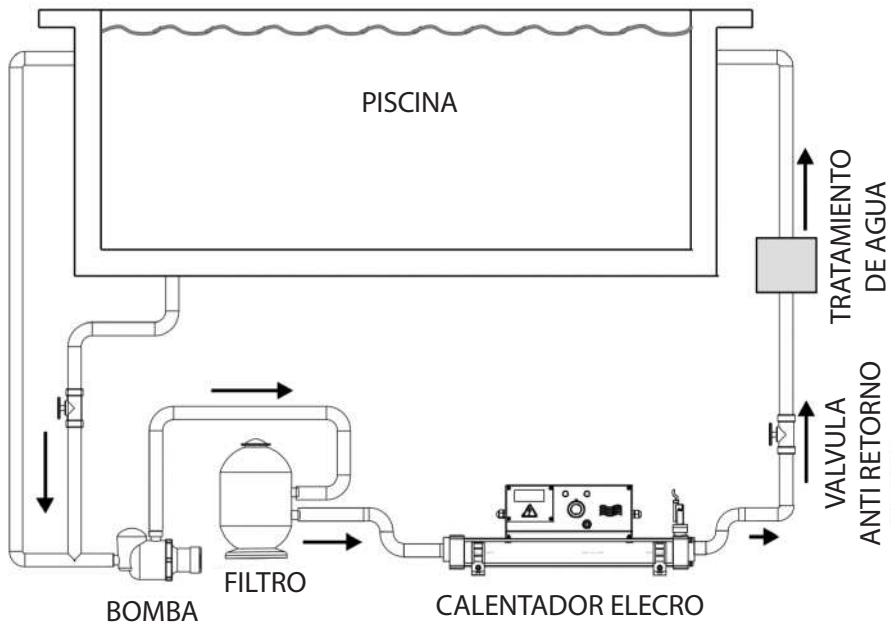


Fig 4.

Conexión Al Circuito De Agua

Es imprescindible emplear tubos de conexión de 32mm de diámetro interno. Los calentadores cuyas potencias oscilan entre 2 KW y 12 KW vienen provistos de dos puntos de unión que permiten el acoplamiento a las tuberías flexibles del circuito. Consiga una sencilla instalación empleando las anillas de goma O adjuntas. Simplemente ajuste cada anilla a la parte enroscada de los puntos de unión antes de atornillar al calentador. Para una correcta aspiración del aire y para asegurar que el calentador permanece lleno de agua durante su funcionamiento, la tubería de retorno de agua a la piscina debe incorporar un sifón de seguridad o un eyector en la tubería tan cerca del calentador como sea posible (ver figura inferior).

Nota: Si trabaja con tuberías flexibles podrá conseguir un sifón de seguridad fácilmente pasando la tubería por encima de un obstáculo. Recuerde usar abrazaderas para una absoluta fijación de los empalmes.

Protección Contra Las Inclemencias

Coloque el calentador en lugar seco, al abrigo de la intemperie.

ATENCIÓN *Si no se emplea el calentador durante los meses de invierno deberá ser drenado para evitar los riesgos del hielo.*

Conexión Eléctrica

Instale el calentador de acuerdo con las normas y reglamentaciones nacionales y regionales vigentes. Únicamente podrá realizar dicha instalación un electricista cualificado que le podrá emitir un certificado de conformidad. La toma de corriente de este calentador deberá estar protegida por un interruptor diferencial (disyuntor de corriente residual). En caso de ser necesario, su electricista puede reemplazar el cable proporcionado por uno más grande para asegurar la entrada de potencia al calentador, ello no afectará a la garantía si se lleva a cabo por un electricista cualificado.

Secciones del cable de alimentación: deberán estar calculadas a razón

de 5-amp/mm² para un máximo de 20 metros (estas secciones son orientativas por lo que deben ser verificadas y, en su caso, adaptadas a cables de más de 20 me-tros).

Quite la tapa de acceso para hacer las conexiones eléctricas (solo electricistas calificados)

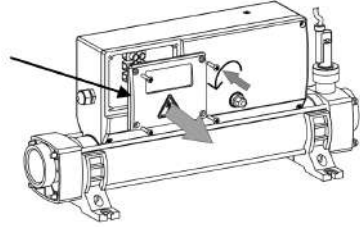


Fig 5.

Potencia Necesaria

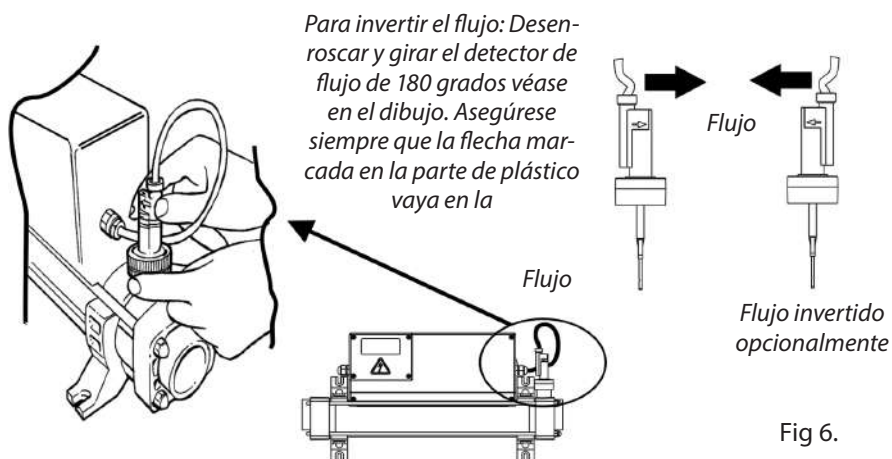
Potencia	Voltias	Amperios
2 - kW	230	9
3 - kW	230	13
4.5 - kW	230	20
6 - kW	230	27
9 - kW	230	40
12 - kW	230	53
15 - kW	230	66
18 - kW	230	79

3 Phase Potencia	400 V Star / 230 V Delta	Amperios
6 - kW	400 / 230V	9 / 15
9 - kW	400 / 230V	13 / 23
12 - kW	400 / 230V	18 / 31
15 - kW	400 / 230V	22 / 38
18 - kW	400 / 230V	26 / 46
24 - kW	400	35

Circuito De Agua

Su calentador ha sido configurado por el fabricante para hacer circular el agua de izquierda a derecha. Podrá invertir el sentido de circulación girando el interruptor de flujo 180°, es decir, media vuelta (Ver figura inferior).

Precaución! La paleta de la rueda hidráulica puede verse dañada por un cambio de sentido del agua, en caso de que ésta se eleve más de 5mm de su caja protectora y se desplace con fuerza. Si la rueda hidráulica se desplaza es importante verificar que se encuentre en la posición adecuada, perpendicular al sentido de circulación del agua (en ángulo recto).



El flujo de agua no debe superar los 17.000 litros por hora. Si tiene más flujo necesita la instalación de un bypass para evitar daños en las resistencias. El calentador no se pondrá en marcha hasta tener un flujo mínimo de:

1.000 litros/ hora para calentadores de 2 ~ 6-kW y
4.000 litros/ hora para calentadores de 9 ~ 24-kW.

Calidad Del Agua

La calidad del agua debe situarse dentro de los límites siguientes:

PH 6.8-8.0

TA (Alcalinidad total) 80 - 140ppm (partes por millón)

Nivel máximo de Cloruro: Cloro 150-mg/litro Cloro Libre:

Nivel MÁXIMO de Bromo 2.0-mg/litro Total: 4.5-mg/litro

TDS (Total de Sólidos Disueltos) / Dureza 200 - 1000ppm (partes por millón)

Los calentadores de acero inoxidable no son recomendables para el uso de equipos de electrolisis salina (sal).

La química del agua es complicada. En caso de dudas, deberían consultar un profesional especializado.

Puesta En Funcionamiento De Su Calentador

Una vez acabada la instalación, encienda la bomba de circulación para sacar el aire del sistema y del calentador. **SUGERENCIA:** puede sacar el aire del tubo elevando ligeramente la salida del calentador durante el funcionamiento de la bomba.

Con el encendido del calentador, la luz ámbar debe de estar encendida. El calentador solo arrancará (luz roja encendida) y la luz ámbar se apagará, si los siguientes criterios están respetados:

- La bomba de circulación está encendida produciendo más flujo que el flujo mínimo necesitado
- La temperatura deseada está por encima de la temperatura del agua

Pregunta: Cuánto tardará en calentarse el agua de mi piscina?

Respuesta: **Dando por supuesto que no existen pérdidas de calor**, un calentador de una magnitud correspondiente a 1,5 KW por 4.545 litros de agua, precisará de dos días de funcionamiento continuo para alcanzar el grado de temperatura óptimo para el baño.

Las pérdidas de calor provocan una ralentización en el proceso de calentamiento, especialmente en períodos de bajas temperaturas, Cuanto mayor sea la diferencia entre la temperatura ambiental y la temperatura deseada para nuestra piscina, más lento será el proceso de calentamiento. Los únicos factores externos que pueden ayudar a acortar este proceso son el aislamiento de la piscina así como una orientación que la proteja del viento.

Consejo útil: *para reducir los gastos de funcionamiento y acelerar el proceso de calentamiento, es preciso dotar la piscina de aislamiento térmico donde sea posible. Una cubierta solar flotante es una medida esencial y mínima para conservar el calor.*

Prueba de funcionamiento

Observe el lector del contador eléctrico central de la propiedad (testigo rojo iluminado), obsérvelo de nuevo cuando el calentador se encuentre en posición de espera a encendido (testigo amarillo iluminado). La prueba deberá revelar que el contador muestra un mayor consumo de electricidad durante el período de encendido, cuando el testigo rojo se encuentra iluminado. Es imposible que un calentador desperdicie energía, toda la potencia consumida por el calentador se transforma en calor aplicado al agua.

Prueba exacta de funcionamiento

Durante la puesta en funcionamiento del calentador no se enciende ningún testigo luminoso.

Posible causa: Corte en el suministro exterior de electricidad. –Solución: Verifique todos los fusibles, el disyuntor diferencial y cualquier otro interruptor instalado al cable de alimentación eléctrico. NOTA: El calentador no está provisto de fusible.

Si precisa una prueba más rigurosa para controlar que su calentador está aplicando la cantidad de calor adecuada, deberá realizar dos lecturas del contador eléctrico central de la propiedad con un intervalo exacto de una hora (es decir, haga una primera lectura del contador y, luego, una segunda lectura exactamente una hora más tarde). Restando el resultado de la primera lectura al de la segunda se calcularán las unidades (kilowatios/kW) consumidas. Observe que mide también su consumo en kW/hora. Es necesario que tanto el calentador como la bomba permanezcan en funcionamiento mientras se realiza la prueba (es decir, testigo rojo del calentador iluminado).

Con el fin de evitar un resultado erróneo, es importante que apague cualquier aparato que realice un consumo elevado de energía (secadora, duchas eléctricas, etc.). Una bomba con una potencia de un caballo de vapor para una estanque grande consume menos de 1-kW en una hora. El resultado del test deberá mostrar que, por ejemplo, un calentador de 6-kW con una bomba de ½ caballo de vapor consume entre 6,3-kW y 6,5-kW en una hora. Es imposible que se desperdicie energía, toda la potencia consumida por el calentador se convierte en calor aplicado al agua.

EL CALENTADOR NO CAMBIA DE LA POSICIÓN DE ESPERA (LUZ AMARILLA) A ENCENDIDO (TESTIGO LUMINOSO ROJO)

En la mayoría de los casos, se tratará de una de las siguientes eventualidades.

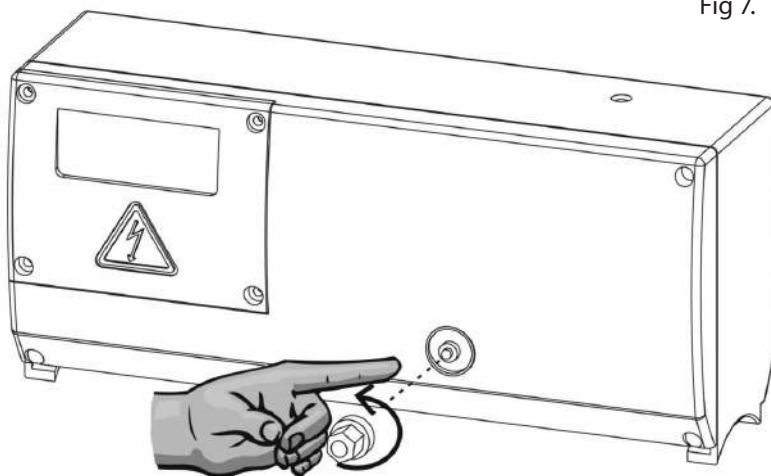
Possible Causa 1: *Temperatura de ajuste alcanzada. Para confirmar el resultado incremente el valor del punto de ajuste girando el cuadrante de temperatura de ajuste hasta un valor por encima de la temperatura actual del agua.*

Possible Causa 2: *Existe una disyunción en el termostato.*

Solución: Retire la tapa del botón y rearme presionando el botón rojo (Ver figure en página siguiente).

Si durante el transcurso de la operación se escucha un clic, **deberá** buscar el origen de la disyunción del termostato. Ésta podría deberse a la presencia de aire o de algún resto en el interior del tubo de circulación del calentador.

Fig 7.



Possible causa 3: *Circulación de agua insuficiente.*

Confirme el resultado poniendo en funcionamiento el sistema tras haber retirado el cartucho de la bomba y de la unidad de filtro, lo que

suministrará al calentador el flujo máximo que la unidad es capaz de admitir. Si el calentador se pone en funcionamiento (testigo rojo iluminado), esto será indicio de que el cartucho está bloqueado, se procederá, entonces, a su limpieza o sustitución.

Si emplea un filtro de arena observe el indicador de presión del mismo y limpie su parte trasera si fuera necesario.

Nota: En algunos casos puede darse una disyunción en el termostato de regulación debida a un flujo de agua insuficiente. El bloqueo del filtro puede provocar la entrada de aire en el sistema de filtración y su estancación en el interior del calentador provocando una disyunción en el termostato de regulación.

LAS LUCES INDICADORAS NO SE ILUMINAN AL ENCENDER EL CALENTADOR

Causa posible: *Un corte del fluido eléctrico externo*

Remedio: Revisar todos los fusibles, el automático o cualquier otro elemento de conmutación conectado al cable de alimentación.

EL TUBO DE FLUJO NO ESTÁ CALIENTE AL TACTO

Dada el alto rendimiento de su calentador eléctrico, ningún calor debería apreciarse en la superficie exterior del tubo de flujo del calentador.

Si el tubo de flujo está caliente al tacto, las causas más probables son:

1.º causa posible: El calentador está expuesto a la luz solar directa.

2.º causa posible: Hay una bolsa de aire aprisionada en el interior del calentador, especialmente si el depósito está más caliente en su parte superior (ya que el aire sube).

EL AGUA QUE ENTRA EN LA PISCINA, PARECE QUE ESTÁ MUY POCO CALENTADA

El aumento de temperatura del agua después de pasar a través del calentador será directamente proporcional a la relación existente entre el volumen del agua bombeada y la potencia de salida del calentador.

Ejemplo: Un calentador con una potencia de salida de 6 Kw. instalado en línea con una bomba con una capacidad de bombeo de 4.000 litros por hora aumentará la temperatura unos 1,2° C (casi imperceptible por

la mano humana). Sin embargo, dado que el agua calentada sale de y vuelve a un mismo cuerpo de agua, el tiempo necesario para calentarla no depende del volumen de flujo. Es un error muy común pensar que reducir la velocidad de flujo acelerará el proceso de calentamiento.

Eliminación de aparatos eléctricos / Electrónicos inservibles

La casa Elecro Engineering Limited certifica que nuestra gama de Calentadores Eléctricos para Piscinas cumple lo contenido en la directiva RoHS 2002/95/CE sobre la restricción en el uso de sustancias peligrosas o tóxicas

Prueba exacta de funcionamiento

Este producto cumple con la directiva Europea 2002/96/EC

No se desaga de este producto en los contenedores municipales.

El símbolo en este producto o embalaje indica que no puede ser tratado como basura doméstica. En su lugar, debería ser depositado en los diferentes puntos de reciclaje para equipamiento electrónico.

Asegurándose de que este producto se destruye correctamente, ayuda a prevenir consecuencias potencialmente negativas para el medioambiente y la salud humana.

El reciclaje de materiales ayuda a la conservación de las reservas naturales. Para más información, contacte a su ayuntamiento, agencia de reciclaje local o comercio donde compró este producto



Su calentador está garantizado desde la fecha de la factura contra defectos de fabricación y materiales, es decir: 2 años de garantía para productos con resistencias de Incoloy y 3 de garantía para productos con resistencias de titanio.

El fabricante dispone de una garantía de un año a partir de la fecha de compra que cubre cualquier defecto de fabricación o de los materiales. El fabricante se reserva el derecho de decidir sobre la reposición o reparación de los elementos y piezas enviados a la compañía para su revisión, pudiendo solicitarse un justificante de compra del producto.

El fabricante no se hace responsable de los daños derivados de una instalación incorrecta o del uso inadecuado o negligente de los elementos de la unidad.

Declaración De Conformidad CE

El fabricante declara que los productos descritos a continuación

CALENTADORES ELECTRICOS PARA PISCINAS GAMA EVO

Han sido elaborados de acuerdo con:

La directiva europea 89/336/EEC de COMPATIBILIDAD ELECTROMAGNÉTICA, modificada por la directiva 93/068/EEC, controlada por la Compatibilidad Electromagnética AEMC —informe técnico nº P96045T.

Han sido aplicadas las siguientes normas armonizadas : EN 55014—EN 55104

EN 55011

EN 55022

CEI 801-4

CEI 801-2

CEI 801-3

de la directiva europea 73/23/EEC
referente a material eléctrico de baja tensión.

Han sido aplicadas las siguientes normas armonizadas:

EN 60335-2-35

Notes importantes!

Merci d'avoir choisi le réchauffeur pour piscine EVO, fabriqué en Angleterre selon les standards le plus élevés.

Pour vous assurer que le réchauffeur fonctionne pendant des années sans problèmes, **veuillez lire attentivement ce manuel.**

L'installation incorrecte aura une incidence sur votre garantie.

Ne jetez pas ce manuel, veuillez le garder pour référence future.

Description du produit

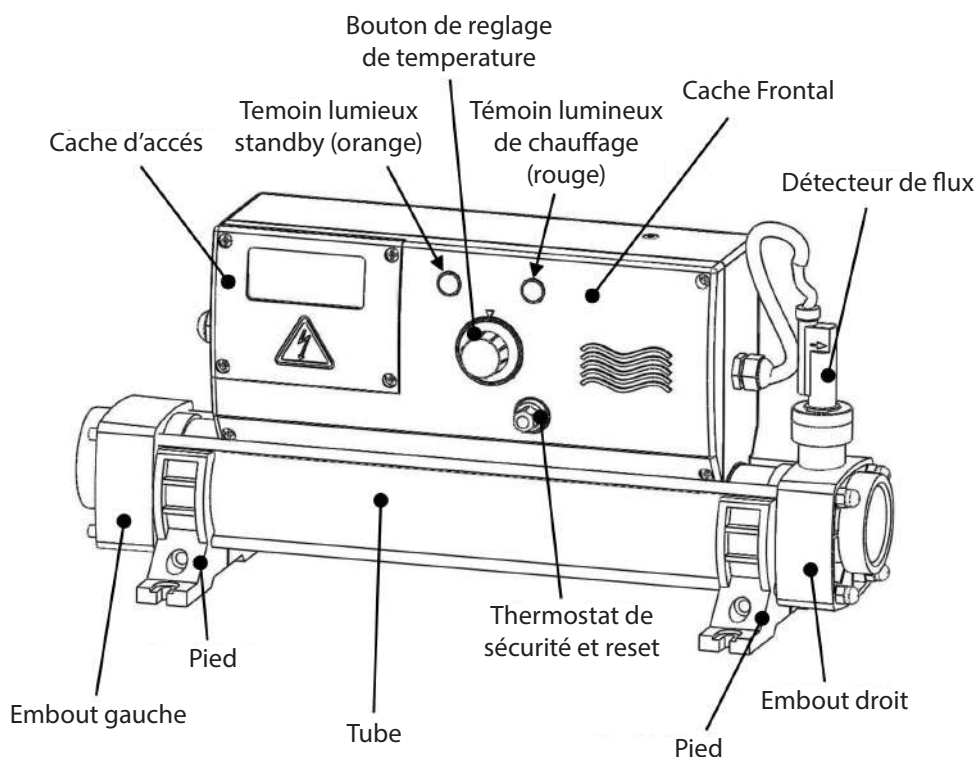


Fig 1.

Positionnement

L'appareil doit être situé de telle manière qu'il y ait assez d'espace vertical et horizontal pour les tuyaux et les branchements électriques. Il doit être bien fixé à une base solide ou un mur.

REMARQUE: Voir n° 2 pour les détails du montage des pieds lors de la fixation au mur ou au sol.

FRANÇAISE

Position des pieds en montage au sol'

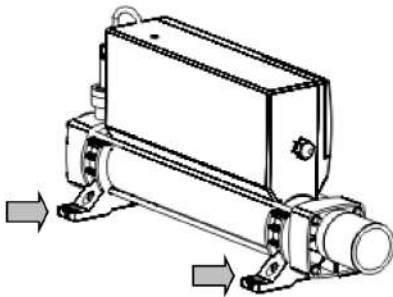
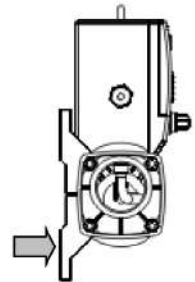
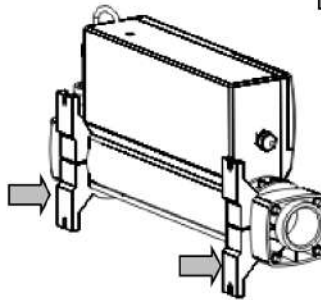


Fig 2.

Position des pieds d'usine pour montage au sol.

Pour annuler la position d'origine et permettre le montage au mur, dévissez les vis et réassemblez comme indiqué.

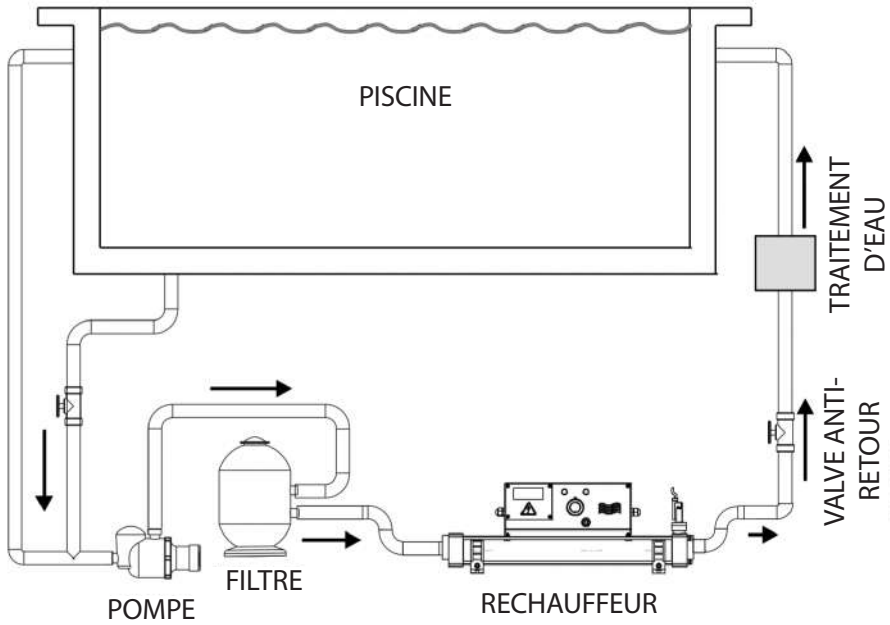


Position des pieds en montage au mur

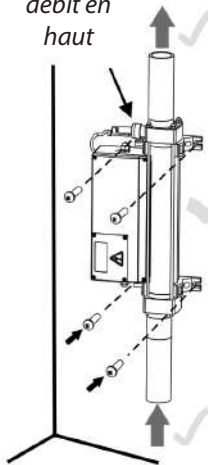
Le réchauffeur doit être installé à un point bas du système de filtration. Il doit être situé après le filtre et avant les systèmes de dosage ou de traitement d'eau (voir n° 3).

REMARQUE : Si la direction du flux est inversée (explication plus tard dans ce manuel), le réchauffeur doit être situé après le filtre.

Fig 3.



Détecteur de débit en haut

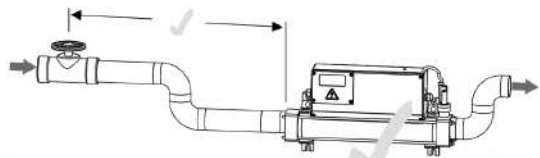


OUI

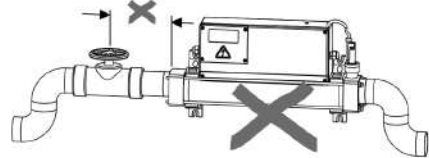
X

X

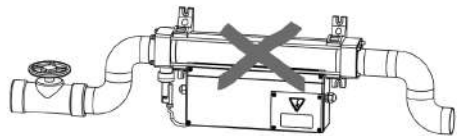
NON



OUI



NON



NON

Pour une installation verticale au mur, l'eau doit toujours arriver depuis en bas

Fig 4.

Raccordement Hydraulique

Il est impératif que les tuyaux de raccordement aient un diamètre interne de 32-mm minimum.

Les réchauffeurs d'une puissance de 2-kW à 12-kW sont livrés avec 2 unions de raccordement qui permettent le raccord hydraulique aux tuyaux flexibles. Pour faciliter l'installation, veuillez utiliser les bagues fournies. Entourez simplement chaque bague autour du filetage des unions de raccordement avant de le visser au réchauffeur.

Pour permettre une aspiration correcte de l'air et pour s'assurer que le réchauffeur reste complètement rempli d'eau pendant sa mise en service, le tuyau de retour qui ramène l'eau au bassin doit inclure un siphon de sécurité ou un pous-soir dans le tuyau, installé le plus près possible du réchauffeur (voir schéma ci-dessous).

Remarque: Lors du raccord au tuyau flexible, un siphon de sécurité peut être fait simplement en faisant passer le tuyau par-dessus un obstacle. N'oubliez pas d'utiliser des crochets de fixation pour tenir bien en place tous les raccords des tuyaux flexibles.

Protection Des Intempéries

Le réchauffeur doit être placé dans un local sec, à l'abri des intempéries.

ATTENTION Si le réchauffeur n'est pas utilisé durant les mois d'hiver, il doit être vi-dangé afin d'éviter les risques de gel.

Raccordement Electrique

Le réchauffeur doit être installé en conformité avec les normes et réglementations nationales/régionales en vigueur. L'installation doit toujours être effectuée par un électricien qualifié qui vous délivrera, une fois le travail effectué, un certificat de conformité. L'alimentation électrique du réchauffeur doit obligatoirement provenir d'un dispositif de protection et de sectionnement (disjoncteur différentiel à courant résiduel). Eventuellement, votre électricien peut remplacer, le presse-étoupe du câble d'alimentation à l'entrée du réchauffeur, par un autre de

taille supérieure, ceci n'affectera pas votre garantie si cette opération est effectuée par un électricien qualifié.

Section câble d'alimentation: elles doivent être calculées à 5-amp / mm² pour une distance de moins de 20 mètres (ces sections sont indicatives et doit être vérifiée et adaptée si besoin est, pour les câbles de plus de 20 mètres).

Retirez le couvercle d'accès pour faire les connexions (électriciens diplômés uniquement)

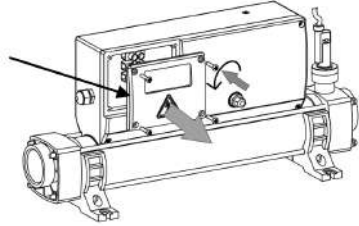


Fig 5.

Puissance d'alimentation nécessaire

Puissance	Voltage (V)	Amp
2 - kW	230	9
3 - kW	230	13
4.5 - kW	230	20
6 - kW	230	27
9 - kW	230	40
12 - kW	230	53
15 - kW	230	66
18 - kW	230	79

3 Phase Puissance	400 V Star / 230 V Delta	Amp
6 - kW	400 / 230V	9 / 15
9 - kW	400 / 230V	13 / 23
12 - kW	400 / 230V	18 / 31
15 - kW	400 / 230V	22 / 38
18 - kW	400 / 230V	26 / 46
24 - kW	400	35

Circulation D'eau

Votre réchauffeur est pré-réglé en usine pour une circulation d'eau de gauche à droite. Le sens de circulation peut être inversé en tournant l'interrupteur de débit de 180°, c'est-à-dire d'un demi-tour (voir schéma à la page suivante).

La palette du contacteur débitmètre peut être endommagée lors du changement de sens de la circulation d'eau si elle est soulevée de plus de 5mm

de son boîtier et tourné avec force. Si le contacteur débitmètre a été tourné il est important de vérifier qu'il est bien mis dans une position adéquate, perpendiculaire à la circulation de l'eau (en angle droit).

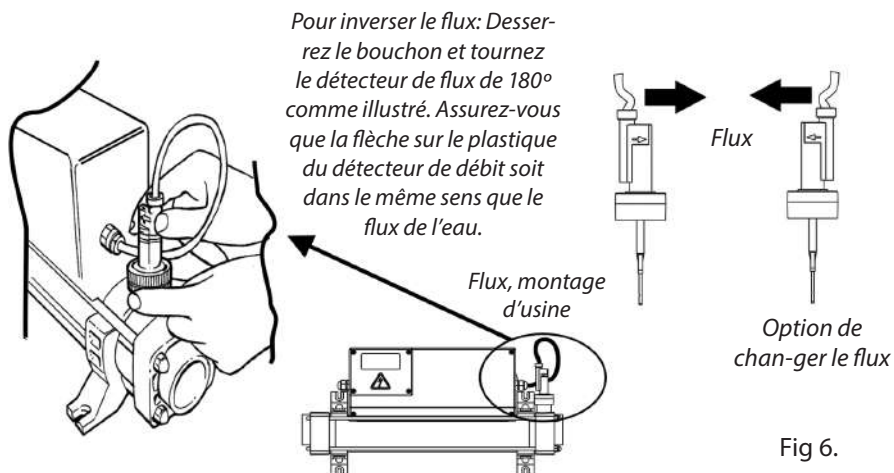


Fig 6.

Le flux d'eau dans le réchauffeur ne doit pas dépasser les 17.000 litres par heure. Un flux plus élevé nécessitera l'installation d'un système de bypass pour éviter l'endommagement des résistances. Le réchauffeur ne se met pas en marche jusqu'à ce que le flux minimum obligatoire soit atteint, soit:

1,000 litres / heure pour réchauffeurs entre 2 ~ 6-kW

4,000 litres / heure pour réchauffeurs entre 9 ~ 24-kW

Qualité De L'eau

La qualité d'eau doit être dans les limites suivantes :

PH 6.8-8.0

TA (l'Alcalinité Totale) 80 - 140ppm (parties par million)

le Contenu de Chlorure MAX : Chlore 150-mg/liter

Libre : Brome 2.0-mg/liter Total MAX : 4.5-mg/liter

TDS (Totales Solides Dissous) / la dureté de Calcium 200 - 1000ppm (parties par million)

Les réchauffeurs d'acier inoxydable ne sont pas compatibles pour l'utilisation sur le sérum physiologique (le sel) des piscines d'eau salées.

La chimie d'eau est compliquée. Si vous auriez des doutes, vous devriez consulter un expert.

A la fin de l'installation, mettez en marche la pompe de circulation pour purger l'air de l'installation. **ASTUCE:** vous pouvez aider l'air à sortir du tube en élevant doucement la sortie du réchauffeur pendant que la pompe fonctionne.

Dès que le réchauffeur est connecté à l'électricité, le voyant orange doit s'allumer.

Le réchauffeur va se mettre en marche (voyant rouge allumé) et le voyant orange s'éteindra, si les critères suivants sont respectés:

- La pompe est allumée et génère le flux minimum nécessaire (voir plus haut)
- La température désirée est plus haute que la température réelle de l'eau

Q: Combien de temps faudra-t-il pour chauffer l'eau de ma piscine?

R: En considérant aucune perte de chaleur, et un réchauffeur de 1,5-kW par 4 545 litres: il faudra deux jours continus pour amener la température de l'eau du robinet à la température adéquate pour nager dans la piscine.

Toute perte de chaleur ralentira le processus de réchauffement, et plus encore lors des saisons froides. Plus la température voulue de l'eau de la piscine sera élevée comparée à la température de l'air ambiant et plus le processus sera long. Les seuls autres facteurs pouvant influencer cette période d'attente sont le niveau d'isolation de la piscine et si elle est placée à l'abri du vent.

Conseil Pratique : Afin de réduire les coûts et d'accélérer le processus ; Il est conseillé d'isoler la piscine autant que possible. Une couverture thermique solaire flottante est le minimum nécessaire pour retenir la chaleur.

Test rapide de fonctionnement

Regardez le compteur électrique central de la propriété lorsque le réchauffeur est en marche (c'est-à-dire quand le voyant rouge est allumé) puis lorsque le réchauffeur est en position veille (c'est-à-dire quand le voyant jaune est allumé). Ce test devrait démontrer que le compteur électrique enregistre une consommation d'électricité plus élevée quand le voyant rouge est allumé. Il est impossible que le réchauffeur gaspille de l'énergie. Toute la puissance utilisée par le réchauffeur est changée en chaleur et transférée à l'eau.

Test Précis de Fonctionnement

Si un test plus précis est nécessaire afin de vérifier que votre réchauffeur envoie la quantité de chaleur adéquate, deux lectures du compteur électrique central de la propriété doivent être faites à une heure d'intervalle exactement, prenez donc une première lecture, puis une seconde exactement une heure plus tard.

En soustrayant le résultat de la première lecture au résultat de la seconde, la consommation peut (kilo watts / kW) être calculée. N'oubliez pas que la consommation de votre réchauffeur est aussi mesurée en kW par heure. La pompe du bassin et le réchauffeur devront fonctionner sans arrêt durant le test, c'est-à-dire avec le voyant rouge allumé.

Afin d'éviter un résultat erroné, il est important d'éteindre tout les appareils qui utilisent une quantité importante d'électricité (tel que les sèche-linge, les douches électrique, etc.).

Une pompe pour grand bassin de 1 cheval-vapeur utilise moins de 1-kW en une heure. Le résultat du test doit montrer que, par exemple un réchauffeur de 6-kW avec une pompe de ½ cheval-vapeur utilisent entre 6,3-kW et 6,5-kW en une heure. Il est impossible que le réchauffeur gaspille de l'énergie. Toute la puissance utilisée par le réchauffeur est changée en chaleur et transférée à l'eau.

LE RÉCHAUFFEUR NE PASSE PAS DE LA POSITION VEILLE (LAMPE TÉMOIN JAUNE) À L'ALLUMAGE (VOYANT ROUGE)

Dans la plupart des cas, l'une des éventualités ci-dessous est en cause.

Cause Possible 1: La température de consigne a été atteinte.

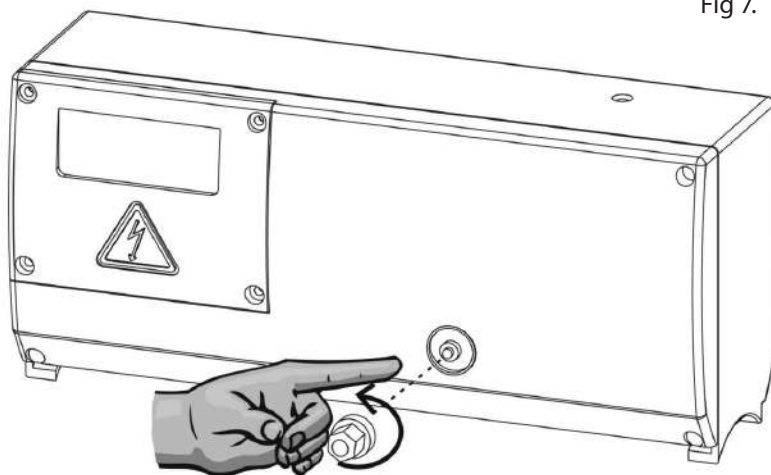
Afin de confirmer le résultat - augmentez la température de consigne en tournant le thermostat de régulation pour qu'il indique une température plus élevée que la température actuelle.

Cause Possible 2: Le thermostat a disjoncté.

Remède: retirer la couverture du bouton et réarmer en appuyant sur le bouton rouge (Voir schéma ci-dessous).

Si au cours de l'opération un click se fait sentir, la raison pour laquelle le thermostat a disjoncté doit être recherchée. Elle pourrait être due à la présence de débris ou d'air, à l'intérieur du tube de circulation du réchauffeur.

Fig 7.



Cause Possible 3: Circulation d'eau insuffisante

Pour obtenir confirmation du résultat, faites fonctionner l'appareil après avoir retiré la cartouche de la pompe & du filtre, cela fera passer le volume d'eau maximum que votre appareil peut accepter. Si le réchauffeur se met

en marche (c'est-à-dire que le voyant rouge s'allume) c'est que la cartouche est bouchée. Celle-ci doit donc être nettoyée ou remplacée.

Si vous utilisez un filtre à sable, vérifiez l'indicateur de pression de celui-ci et nettoyez l'arrière du filtre si nécessaire.

Remarque: dans certains cas, le thermostat de régulation peut disjoncter dû à un courant trop faible; Quand le filtre est bouché l'air peut être aspiré dans le système de filtrage et rester coincé à l'intérieur du réchauffeur faisant disjoncter le thermostat de régulation.

AUCUN VOYANT NE S'ALLUME LORS DE LA MISE EN MARCHÉ DU RÉCHAUFFEUR

Cause Possible: Coupure d'électricité extérieure au réchauffeur

Remède: Vérifier tout les fusibles, le disjoncteur différentiel et tout autres interrupteurs installés au câble d'alimentation électrique.

REMARQUE: Le réchauffeur n'est pas muni de fusible.

L'EAU DE MA PISCINE N'A PAS L'AIR BEAUCOUP PLUS CHAUDE

L'augmentation de la température de l'eau, une fois passée par le réchauffeur, est directement proportionnelle au volume d'eau pompé en relation avec la puissance du réchauffeur.

Par exemple: connecté à une pompe de 4 000 litres par heure, un réchauffeur de 6-kW produira approximativement une augmentation de température de 1,2°C (ceci est à peine ressenti par la main humaine). Cela dit, au fur et à mesure que l'eau passe et repasse par le réchauffeur, le temps nécessaire reste inchangé par la quantité du volume d'eau. C'est donc une erreur commune que de penser que de diminuer la quantité d'eau qui passe par le réchauffeur augmentera le processus de chauffage. En effet, le temps nécessaire à chauffer l'eau n'est pas en rapport avec le volume d'eau passant par le réchauffeur.

Le contrôleur de débit ne doit pas être chaud

En raison du rendement élevé de votre réchauffeur électrique en aucun cas le contrôleur de débit ne devra être chaud.

Si le contrôleur de flux de votre réchauffeur est chaud c'est sou-vent pour

les raisons suivantes :

1ere possibilité: Le réchauffeur est resté en plein soleil.

2eme possibilité: Une poche d'air est prisonnière à l'intérieur du réchauffeur, surtout si c'est la partie supérieure du corps de réchauffeur qui est plus chaude (l'air monte).

Respect De La Directive 2002/95/Ce (Rohs)

Elecro Engineering Limited certifie que sa gamme de réchauffeurs électriques pour piscines est conforme à la directive 2002/95 (ROHS) relative à la limitation de l'utilisation de certaines substances dangereuses dans les équipements électriques et électroniques .

Elimination Des Déchets Électriques Et Électroniques

Ce produit est soumis à la norme 2002/96/EC

Ne jetez pas ce produit dans les déchets municipaux non triés

Cette phrase, sur le produit ou sur l'emballage, signifie que ce produit ne doit pas être traité comme un déchet domestique. Il devra être, au contraire, déposé à l'endroit adéquat afin que l'on procède à un recyclage, correspondant aux équipements électriques et électroniques.

En vous débarrassant de ce produit en respectant la norme, vous contribuerez à ce que d'éventuelles conséquences, graves pour l'environnement et la santé humaine et provoquées par une manutention inadéquate de ce produit, soit évitées. Le recyclage des matériaux aidera à la sauvegarde des ressources naturelles. Pour plus d'information, s'il vous plait, contactez le service municipal adéquat de votre commune, ou l'administration chargée du contrôle de l'élimination des déchets ou le détaillant qui vous a vendu ce produit.



**Votre réchauffeur est garanti depuis la date de la facture contre d'éventuels défauts de fabrication et de matériaux, soit:
2 ans de garantie pour les produits avec résistances en Incoloy et
3 ans de garantie pour les produits avec résistances en titane**

Le constructeur se réserve le droit de décider de la réparation ou de l'échange de tout élément ou matériels défectueux renvoyés à la société pour leur inspection. Un justificatif d'achat pourra être demandé.

L'installation incorrecte du réchauffeur ou toute utilisation non conforme au mode d'emploi ou négligence n'engagera d'aucune façon la responsabilité Le constructeur

Déclaration de Conformité UE

Le constructeur déclare que les produits ou gammes de produits cités ci-dessous

RECHAUFFEURS ELECTRIQUES POUR PISCINES GAMME EVO

Sont conformes aux dispositions:

de la directive européenne 89/336/EEC sur la COMPATIBILITE ELECTROMAGNETIQUE, modifiée par la directive 93/68/EEC.

Contrôlés par l'AEMC Comptabilité électromagnétique—rapport technique no P96045T

Les normes harmonisées suivantes ont été appliquées: EN 55014—EN 55104

EN 55011

EN 55022

CEI 801-4

CEI 801-2

CEI 801-3

de la directive européenne 73/23/EEC sur le MATÉRIEL ÉLECTRIQUE DE BASSE TENSION.

Les normes harmonisées suivantes ont été appliquées:

EN 60335-2-35

Wichtige Hinweise!

Vielen Dank für den Kauf eines elektrischen EVO Heizgerätes. Das Gerät wurde in England hergestellt, den höchsten Qualitätsstandards entsprechend.

Um sicherzustellen, dass das Gerät jahrelang störungsfrei in Betrieb bleiben wird, lesen Sie bitte **folgende Hinweise. Unkorrekte Montage beeinträchtigt Ihre Garantie.**

Bewahren Sie dieses Handbuch für späteres Nachschlagen auf.

Produktübersicht

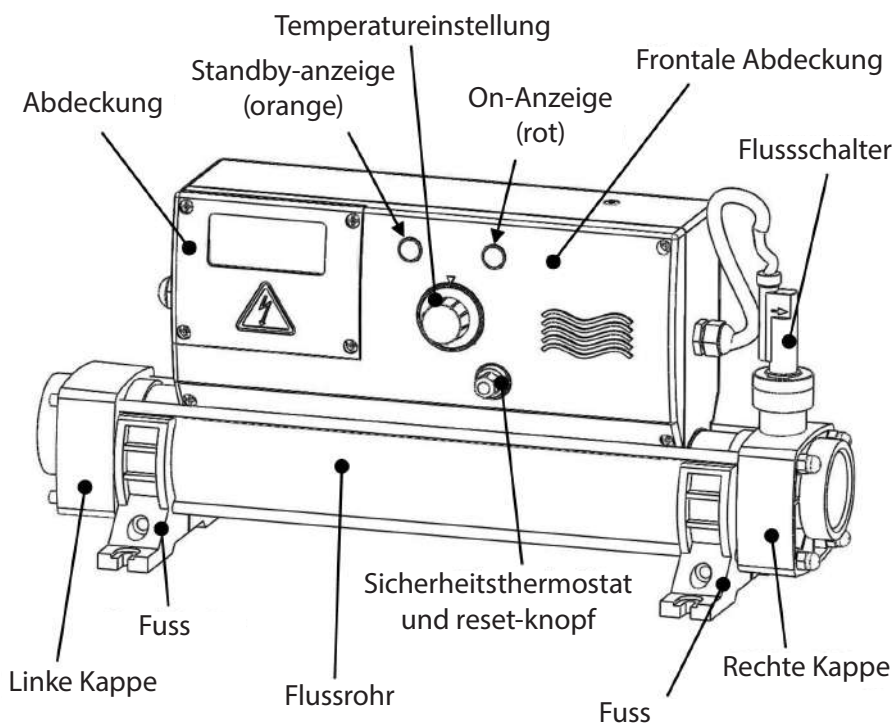


Fig 1.

Anbringung

Ihr Heizer sollte horizontal oder vertical motiert sein, mit genügend Platz für die Rohre und elektrischen Kabel, er muss fest an eine stabile Oberfläche fixiert werden.

HINWEIS: siehe fig 2 für Anordnung der Füße bei Wand- oder Bodenmontage.

Anordnung der Füße bei Bodenmontage

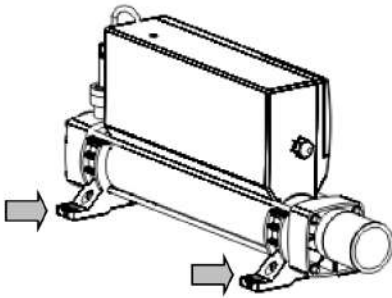
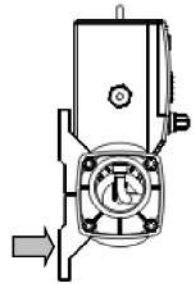
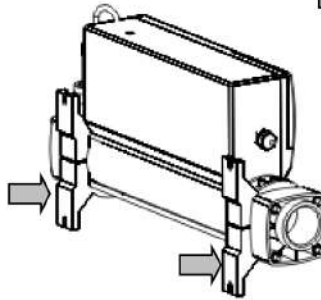


Fig 2.

Werkeinstellung der Füße für Bodenmontage. Um dies auf Wandmontage umzustellen, Schrauben lockern und Füße in vertikaler Position neu montieren



Anordnung der Füße bei Wandmontage

Der Heizer sollte an einem tiefen Punkt der Filteranlage installiert werden. Er sollte nach dem Filter und vor jeglichem Dosierungs- oder Wasseraufbereitungssystem installiert werden. (siehe fig.3)

HINWEIS: Ist der Fluss umgeschaltet (in diesem Handbuch erklärt), muss der Heizer nach dem Filter montiert werden.

Fig 3.

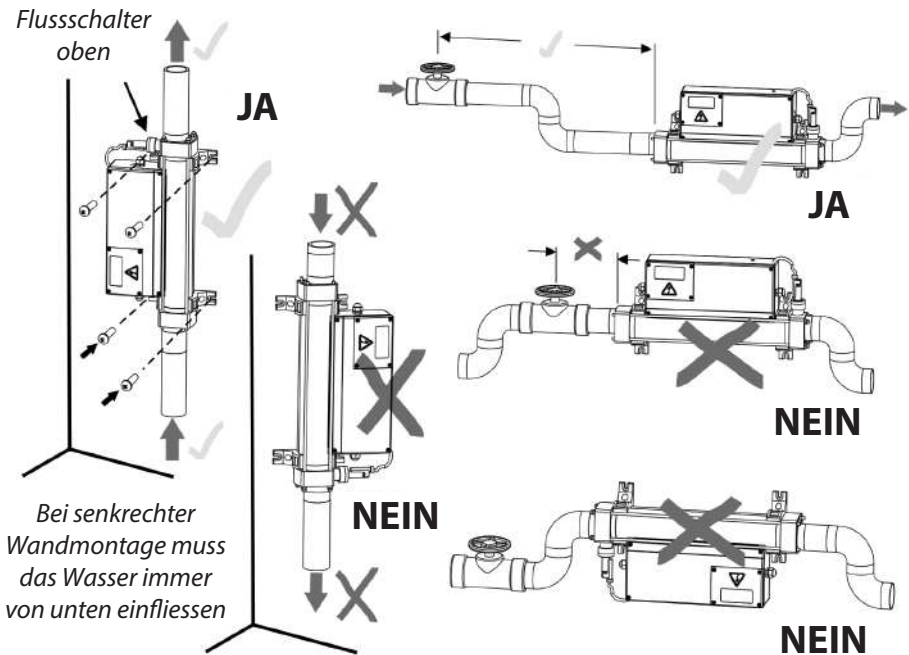
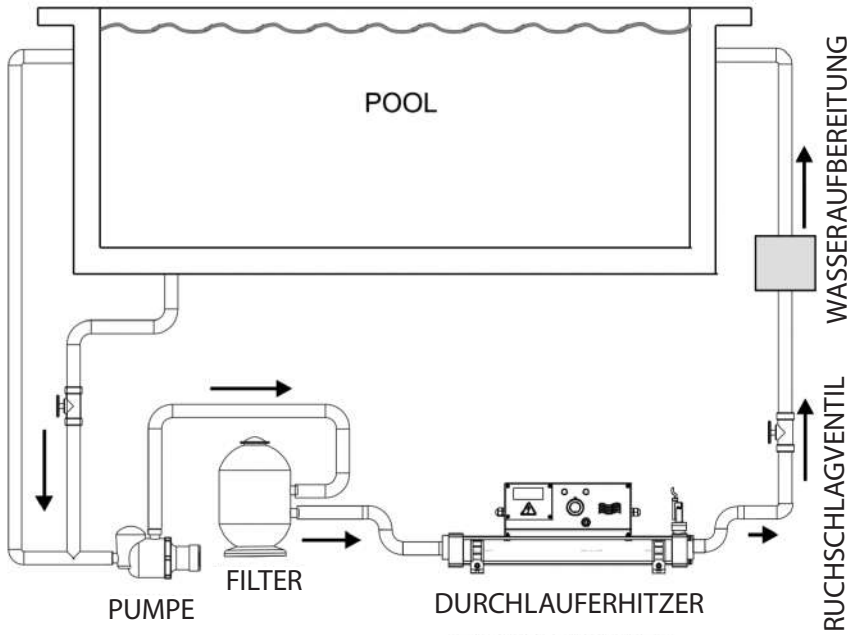


Fig 4.

Verrohrung

Es ist unerlässlich, Anschlussrohre mit einem minimalen Durchmesser (intern) von 32 mm einzusetzen. Die Heizgerätgrößen von 2 kW bis 12 kW sind mit zwei verschiedenen Rohradaptern ausgestattet, um möglichst flexibel an die Verrohrung angeschlossen werden zu können. Zur Vereinfachung der Installation, nutzen Sie bitte die mitgelieferten O-Ringe aus Gummi. Rollen Sie den O-Ring einfach über die Gewindeseite des gewählten Rohradapters, bevor Sie ihn in das Heizgerät einschrauben. Für eine korrekte Luftspülung und um sicher zu gehen, dass das Heizgerät während des Vorgangs komplett mit Wasser gefüllt bleibt, muss die Verrohrung, die das Wasser zurück zum Becken transportiert, eine Sicherheitsschleife bzw. einen Ausstoßer im Rohr aufweisen, der so nahe wie möglich am Wasserheizer installiert wird (siehe Abbildung unten).

BEMERKUNG: Sofern Sie mit flexiblen Rohren arbeiten, kann man eine Sicherheitsschleife ganz einfach so legen, indem man das Rohr über ein erhöhtes Hindernis führt. Denken Sie daran, Rohrschellen einzusetzen, um alle Schlauchanschlüsse sicher zu befestigen.

Wetterschutz

Der Heizer sollte an einem trockenen und vor Nässe geschütztem Ort aufgestellt werden.

VORSICHT: Falls der Heizer während der Wintermonate nicht benutzt wird, muss er entwässert werden, um mögliche Frostschäden zu verhindern.

Elektrische Verbindungen

Installieren Sie das Gerät entsprechend der gültigen nationalen und regionalen Normen und Vorschriften. Sollte es zu Vorfällen kommen, darf die Arbeit ausschließlich von einem qualifizierten Elektriker ausgeübt werden, der eine entsprechende Konformitätsbescheinigung ausstellen kann. Die Stromzufuhr muss mit einem Fehlerstromschutzschalter ausgestattet sein.

Falls erforderlich, kann Ihr Elektriker die mitgelieferte Kabeleinführungsbuchse durch eine größere austauschen, um das Stromversorgungskabel des

Heizgerätes besser zu verankern. Garantieleistungen nicht beeinträchtigt, vorausgesetzt, diese Arbeit wird von einem qualifizierten Elektriker ausgeführt.

Kabelabschnitte: Sie sollten auf 5-amp/mm² ausgerichtet sein, für Entfernungen bis zu 20 Metern. (Die Angaben zu den Abschnitten sind orientativ und sollten überprüft werden. Sofern notwendig, muss man sie auf Entfernungen von über 20 Metern ausrichten).

Entfernen Sie die Abdeckung um die elektrische Installation zu ermöglichen (nur qualifizierte Elektriker)

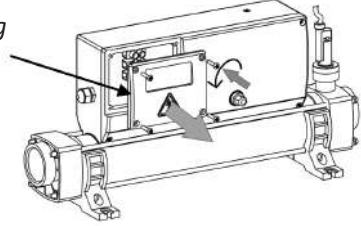


Fig 5.

Verrohrung

Leistung	Volt (V)	Amper
2 - kW	230	9
3 - kW	230	13
4.5 - kW	230	20
6 - kW	230	27
9 - kW	230	40
12 - kW	230	53
15 - kW	230	66
18 - kW	230	79

3 Phasig	400 V Star / 230 V Delta	Amper
6 - kW	400 / 230V	9 / 15
9 - kW	400 / 230V	13 / 23
12 - kW	400 / 230V	18 / 31
15 - kW	400 / 230V	22 / 38
18 - kW	400 / 230V	26 / 46
24 - kW	400	35

Wasserkreislauf

Ihr Wasserheizer wurde vom Hersteller so konfiguriert, dass die Wasserzirkulation links eintritt und nach rechts fließt. Sie können den Wasserkreislauf umkehren, indem Sie das Durchflussschaltgerät um 180° drehen, d.h., Sie machen eine halbe Drehung (siehe Abbildung unten).

Achtung! Die Flügel des Durchflussschalters können durch eine falsche Flow-Richtung beschädigt werden, wenn sie mehr als 5 mm in ihrem Gehäuse

angehoben und mit Gewalt gedreht werden. Wurde der Durchflussschalter gedreht, ist es äuss-erst wichtig, sicher zu stellen, dass er schließlic in seiner richtigen Ausrichtung rechtwinklig zum Wasserfluss fixiert ist.

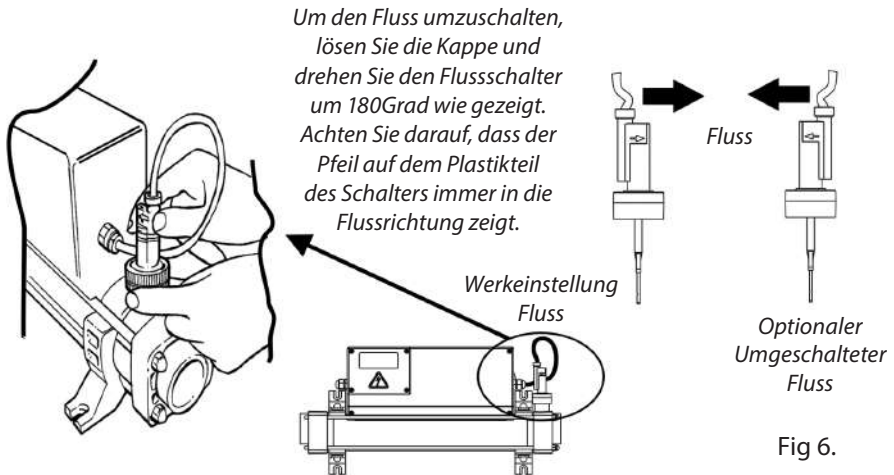


Fig 6.

Das im Heizgerät zirkulierende Wasser darf nicht 17.000 Liter pro Stunde überschreiten. Eine höhere Durchflussmenge würde die Installation eines Bypasses voraussetzen, um jedweder Beschädigung der Elemente vorzubeugen.

Das Heizgerät wird bei einer Wasserzirkulation unter 1.000 Litern pro Stunde nicht funktionsfähig sein.

Wasserqualität

Die Wasserqualität muss innerhalb der folgenden Grenzen sein:

PH 6.8-8.0

TA (Total Alkalinität) 80 - 140ppm (Teile pro Million)

Chlorid-Inhalt MAX: 150-mg/Liter Freies

Chlor: 2.0-mg/Liter Totalbrom MAX: 4.5-mg/Liter

TDS (Aufgelöste Totalfestkörper) / Kalzium-Härte 200 - 1000ppm (Teile pro Million)

Heizungen in rostfreien Stahl sind für den Gebrauch auf der Salzquelle (Salz) Wasseranlagen NICHT Passend.

Wasserchemie ist kompliziert. Möchten Sie Zweifeln, sollten Sie sich bei einem Experten beraten.

Inbetriebnahme Ihres Wasserheizers

Nach der Installation, schalten Sie bitte die Wasserzirkulationspumpe ein, um das System und den Heizer von überschüssiger, eventuell eingeschlossener Luft zu befreien.

TIPP: Sie können die Luft aus dem Heizer bringen indem Sie das Ausflusende des Heizers bei eingeschalteter Pumpe leicht anheben. Sobald der Heizer an Strom angeschlossen ist, leuchtet das orange Licht.

Der Heizer schaltet erst auf „on“ (rotes Licht leuchtet) und das orange Licht geht aus, wenn die folgenden Kriterien erfüllt sind:

- Wasserzirkulationspumpe ist eingeschaltet und gibt mehr Fluss als die minimale Fließgeschwindigkeit, die der Heizer braucht (siehe oben)
- Temperatur-Sollwert ist höher als der aktuelle Istwert des Wassers

F: Wie lange dauert es, meinen Pool zu heizen?

R: Sofern keine Wärmeverluste verzeichnet werden und die Heizgerätgröße dem Wert 1,5-kW pro 4.545 Litern entspricht: Um die Pool-Temperatur von auf Badetemperatur anzuheben, muss das Gerät zwei Tage ununterbrochen lang laufen.

Wärmeverluste verlangsamen den Aufwärmprozess besonders während Kaltwetterperioden. Je höher die Wassertemperatur über der durchschnittlichen Umgebungstemperatur gehalten werden soll, desto langsamer wird die Aufwärmphase. Die einzigen Einflussfaktoren sind der Grad der Isolierung und die Lage des Pools bezüglich des Windeinflusses.

Nützlicher Hinweis: Um die laufenden Kosten zu verringern und die Aufwärmphase zu beschleunigen, isolieren Sie den Pool so gut es geht. Eine schwimmende Sonnenabdeckung ist eine Grundvoraussetzung, um die Wärme zu erhalten.

Einfacher Funktionstest

Beobachten Sie Ihren Hauptstromzähler bei eingeschaltetem Heizgerät (d.h. rote Anzeige an) und ebenfalls wenn sich das Heizgerät im Standby-Modus befindet (d.h. gelbe Anzeige an). Die Überprüfung sollte ergeben, dass das Heizgerät mehr Energie verbraucht, wenn die Anzeigelampe rot leuchtet. Heizgerät kann keine Energie verschwenden. Wenn es Energie verbraucht, wird diese Energie in Wärme umgewandelt, die ins Wasser übertragen wird.

Erweiterter Funktionstest

Wünschen Sie einen erweiterten Test, um zu bestätigen, dass Ihr Heizgerät die angegebene Wärme liefert, müssen Sie Ihren Hauptstromzähler zwei Mal ablesen. Dazwischen muss genau eine Stunde liegen (d.h., lesen Sie den Zähler ab und genau eine Stunde später noch einmal). Indem man die erste Lektüre von der zweiten abzieht, kann die Anzahl der konsumierten Einheiten (Kilowatts/kW) berechnet werden. Bitte beachten Sie, dass Ihr Heizgerät auch den Konsum in kW/Stunde bemisst.

Die Schwimmbadpumpe und der Heizer müssen während der Durchführung dieses Test eingeschaltet sein (d.h., das rote Heizlicht ist an).

Um fehlerhafte Ergebnisse zu vermeiden, schalten Sie bitte jeglichen Apparat aus, der für einen hohen Energieverbrauch im Hause sorgt (beispielsweise Trockner, elektrische Duschen, Elektroherd etc.).

Eine Pumpe mit einem PS wird beispielsweise weniger als ein kW pro Stunde verbrauchen. Das Testergebnis sollte beweisen, dass beispielsweise ein 6 kW-Heizgerät und eine ½ PS starke Pumpe zwischen 6,3 und 6,5 kW pro Stunde verbrauchen. Im Falle eines Elektroheizers ist es praktisch unmöglich, Energie zu verschwenden. Die vom Heizer verbrauchte Leistung wird in Wärme umgewandelt und zum Wasser hinzugefügt.

DAS HEIZGERÄT SCHALTET NICHT VON DER STANDBY-POSITION GELBES WARNLICHT AUF „AN“(ROTES LICHT)

In den meisten Fällen gibt es hierfür folgende Gründe:

Mögliche Ursache 1: Die Sollwert-Temperatur wurde erreicht.

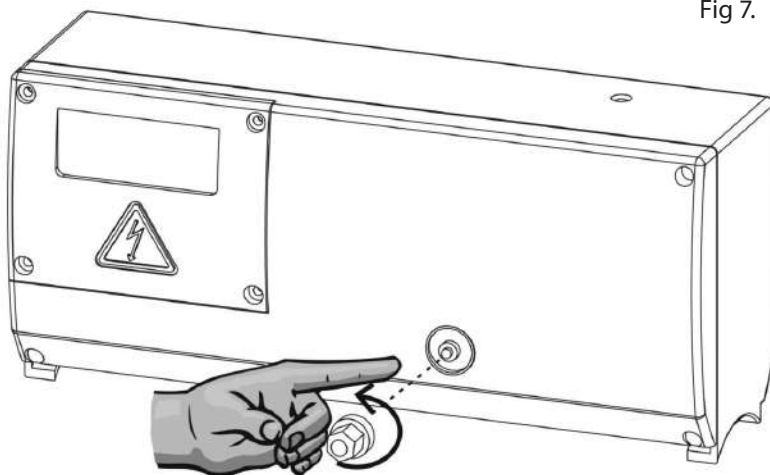
Zur Bestätigung: Erhöhen Sie die gewünschte Temperatur durch Drehen des Temperaturwahlschalters auf einen höheren Wert als die aktuelle Wassertemperatur.

Mögliche Ursache 2: Der Sicherungsthermostat hat ausgelöst.

Maßnahme: Entfernen Sie die Abdeckung und drücken Sie den roten Reset-Knopf (siehe Abbildung unten).

Wenn dabei ein Klicken zu hören ist, müssen Sie der Ursache für das Auslösen auf den Grund gehen. Möglicherweise lässt es sich auf Luftblasen oder sonstige Verunreinigungen in den Rohrleitungen des Heizers zurückführen.

Fig 7.



Mögliche Ursache 3: Wasserzirkulation ungenügend

Bestätigen Sie dies, indem Sie das System mit ausgebauten Einsätzen der Pumpenfiltereinheit laufen lassen. Ihr Heizgerät wird dadurch mit der maximalen Durchflussrate versorgt. Wenn der Heizer dann anspringt (d.h.,

die rote Anzeige geht an), kann ein blockierter Einsatz der Grund sein. Der Einsatz sollte dementsprechend gereinigt oder ersetzt werden. Wenn Sie einen Sandfilter benutzen, überprüfen Sie die Druckanzeige Ihres Sandfilters und führen Sie gegebenenfalls eine Spülung durch.

ANMERKUNG: In einigen Fällen kann der Überschutzthermostat auslösen, was auf eine niedrige Durchflussmenge zurückgeführt werden kann. Setzt sich ein Filter zu, kann Luft ins Filtersystem gelangen, sich im Heizgerät ansammeln und so das Auslösen des Thermostaten verursachen.

BEI EINGESCHALTETEM HEIZER LEUCHTET KEINE ANZEIGE

Mögliche Ursache: Netzspannungsunterbrechung zum Heizer

Abhilfe: Überprüfen Sie sämtliche Sicherungen, Differenzialschalter und andere Sicherungskomponenten, die möglicherweise im Versorgungszweig vor-handen sind.

Bemerkung: Der Heizer ist nicht mit einer Sicherung ausgestattet.

IN MEINEN POOL LÄUFT WASSER, DAS SICH NICHT VIEL WÄRMER ANFÜHLT

Der Temperaturanstieg des Wassers, nachdem es durch das Heizgerät gelaufen ist, steht proportional zur gepumpten Wassermenge hinsichtlich der Leistungsabgabe des Heizers. Wenn man beispielsweise einen 6 kW-Heizer an eine Pumpe anschließt, die 4.000 Liter pro Stunde bewältigt, kommt es zu einem Temperaturanstieg von etwa 1,2 °C stündlich (nahezu nicht wahrnehmbar von der menschlichen Hand). Da das Wasser jedoch in einem geschlossenen System umgewälzt wird, wird die Aufwärmzeit nicht durch die Durchflussmenge beeinflusst. Eine weit verbreitete irrtümliche Meinung ist, dass ein Herunterdrosseln der Durchflussrate die Aufwärmphase beschleunigt.

Erweiterter Funktionstest

Die Firma Elecro Engineering Limited bescheinigt, dass die Produktpalette Elektrische Schwimmbadheizgeräte die Vorgaben der EU-Direktive RoHS 2002/95/EC über die eingeschränkte Verwendung von Gefahrgütern erfüllt.

Entsorgung Von Elektrischen Oder Elektronischen Geräten

Dieses Produkt erfüllt die Vorgaben der EU Direktive 2002/96/EC.

Bitte dieses Produkt NICHT als unsortierten kommunalen Abfall entsorgen.

Das auf dem Produkt oder an der Verpackung angebrachte Symbol bedeutet, daß dieses Produkt nicht als Haushaltsmüll anzusehen ist. Stattdessen sollte das Produkt an einem geeigneten Sammelpunkt abgegeben werden, der für die Wiederverwertung von elektrischen und elektronischen Geräten zuständig ist.

Wenn Sie dieses Produkt korrekt entsorgen, helfen Sie, mögliche schädliche Folgen für die Umwelt und menschliche Gesundheit zu verhindern, die durch eine unsachgemäße Abfallbeseitigung dieses Produkts entstehen können. Die Wiederverwertung von Materialien trägt zur Erhaltung von Bodenschätzen und natürlichen Energiequellen bei.

Zwecks weiterer Informationen wenden Sie sich bitte an Ihre Stadt- oder Gemeindeverwaltung, an Ihr Müllentsorgungsunternehmen oder an den Einzelhändler, bei dem Sie dieses Produkt gekauft haben



Ihr Heizer ist ab Kaufdatum gegen Fabrikations- und Materialfehler garantiert: 2 Jahre für Produkte mit Incoloy Heizelementen und 3 Jahre für Produkte mit Titan Heizelementen.

Der Hersteller behält sich das Recht vor, defekte Materialien oder Komponenten auszutauschen oder zu reparieren, die der Firma zur Revision zugesandt worden sind. Eine Kaufbescheinigung des Produktes kann zu diesem Zweck angefordert werden.

Der Hersteller übernimmt keine Verantwortung bezüglich einer fehlerhaften Installation des Heizers oder eines unsachgemäßen Gebrauches.

CE-Konformitätsbescheinigung

Der Hersteller bescheinigt, dass die nachfolgend aufgeführten Produkte

ELEKTROHEIZGERÄTE FÜR SCHWIMMBECKEN EVO-REIHE

entsprechend folgender Richtlinien hergestellt worden sind:
ELEKTROMAGNETISCHE VERTRÄGLICHKEIT laut Richtlinie 89/336/EEC, modifiziert durch Richtlinie 93/068/EEC. Kontrolliert durch das Labor für elektro-magnetische Verträglichkeit AEMC — technischer Bericht Nr. P96045T.

Folgende harmonisierte Normen wurden angewandt: EN 55014—EN 55104

EN 55011

EN 55022

CEI 801-4

CEI 801-2

CEI 801-3

der Richtlinie 73/23/EEC bezüglich NIEDERSpannung.
Folgende harmonisierte Standards wurden angewandt:

EN 60335-2-35

Notas importantes!

Obrigado por ter adquirido o aquecedor eléctrico de piscina EVO Direct, o qual é produzido em Inglaterra de acordo com os padrões mais elevados.

Para garantir um funcionamento perfeito e duradouro, **leia atentamente as instruções do aquecedor. A instalação incorrecta afecta a garantia.**

Não descarte este manual, conserve-o para consulta futura.

Descrição geral do produto

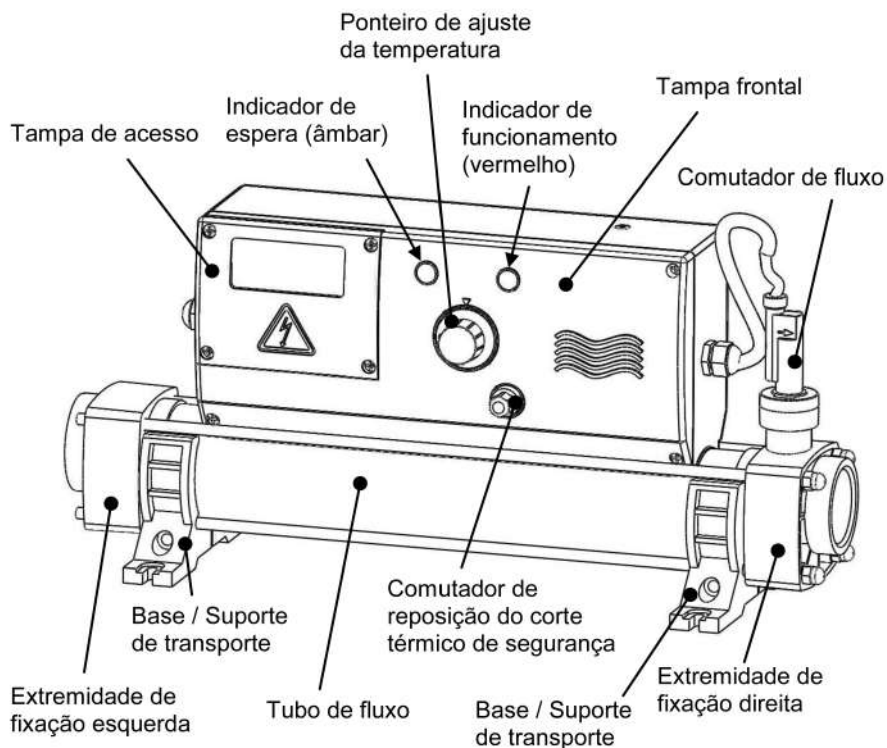


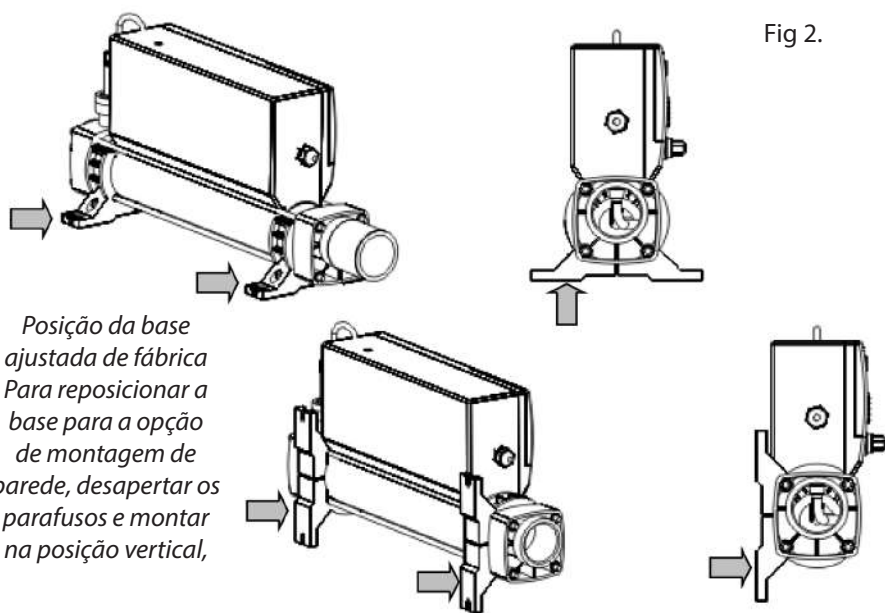
Fig 1.

Posicionamento

O aquecedor deve ser colocado na horizontal ou na vertical, com espaço suficiente para as ligações das tubagens e cablagens. Este deve ser firmemente aparafusado a uma base sólida ou a uma parede.

NOTA: Consultar a figura 2 para informações sobre a disposição da base para montagem na parede ou no chão.

Posição da base ajustada para montagem de parede

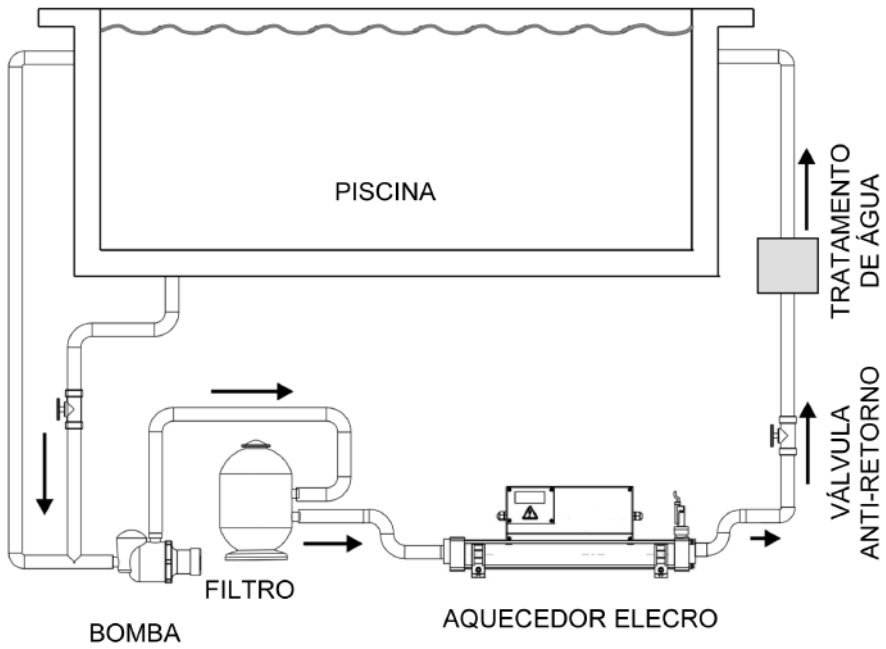


Posição da base para montagem de chão

O aquecedor deve ser instalado num ponto baixo do sistema de filtragem. Deve ser posicionado a jusante do filtro (após) mas a montante (antes) de qualquer unidade de tratamento ou doseamento de água. (consultar fig.3)

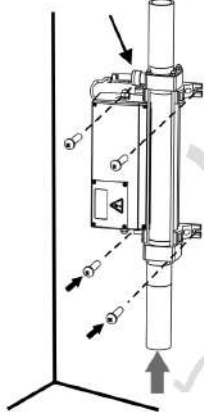
NOTA: Se o sentido de fluxo for invertido (conforme explicado adiante) o aquecedor DEVE permanecer localizado após o filtro.

Fig 3.



PORTUGUÊS

Comutador de
fluxo no topo

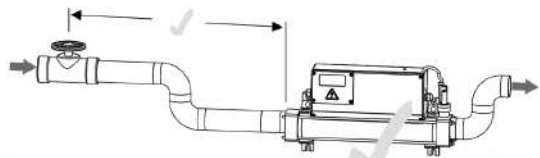


SIM

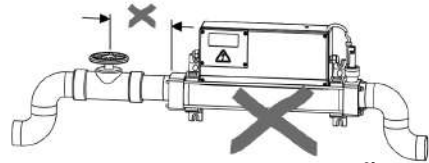
NÃO

NÃO

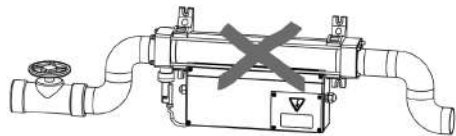
Para montagem
vertical de parede,
a água deve entrar
sempre por baixo



SIM



NÃO



NÃO

Fig 4.

Tubagem

É essencial que a tubagem de ligação ao aquecedor e a partir deste possua um calibre mínimo (diâmetro interno) de 1¼" (32 mm). Para auxiliar a purga adequada do ar e garantir que o aquecedor permanece repleto de água durante o funcionamento, o tubo de retorno, que reconduz a água à piscina, deve incorporar um circuito de segurança ou um ressalto no tubo, instalado o mais próximo possível do aquecedor (ver figura 4).

NOTA: Se a ligação for efectuada com tubo flexível, pode ser criado um circuito de segurança simples conduzindo o tubo para cima e sobre um obstáculo. Recorde-se de utilizar braçadeiras de tubo para fixar com segurança todas as ligações de tubo.

Protecção à intempérie

O aquecedor deve ser instalado no interior de um alojamento seco resistente às intempéries.

Cuidado! *Se o aquecedor não for utilizado durante os meses de Inverno, este deve ser drenado para evitar danos por congelamento.*

Ligação eléctrica

O aquecedor deve ser instalado em conformidade com os regulamentos e requisitos regionais / nacionais. Em qualquer circunstância, o trabalho deve ser realizado por um electricista certificado, o qual deve fornecer um certificado de conformidade após a finalização do trabalho.

A fonte de alimentação deve ser equipada com um RCD (dispositivo de protecção diferencial residual). Se necessário, o electricista pode substituir o passa-cabos fornecido da entrada do cabo com um de maior dimensão para a fixação do cabo de alimentação do aquecedor, este procedimento não afecta a garantia se efectuado por um electricista certificado.

Secção do cabo: Deve ser calculada a 5 A/mm² para comprimentos até 20 metros (esta secção é meramente indicativa, pelo que deve ser verificada e adaptada, se necessário, para comprimentos de cabo acima dos 20 metros).

Remover a tampa de acesso
para efectuar as ligações
eléctricas
(Apenas electricistas
qualificados)

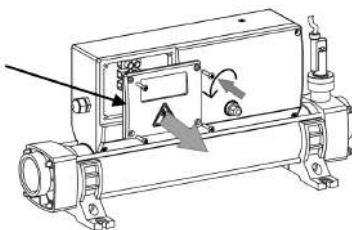


Fig 5.

Requisitos de alimentação

Saída de potência	Tensão (V)	Amperagem
2 - kW	230	9
3 - kW	230	13
4.5 - kW	230	20
6 - kW	230	27
9 - kW	230	40
12 - kW	230	53
15 - kW	230	66
18 - kW	230	79

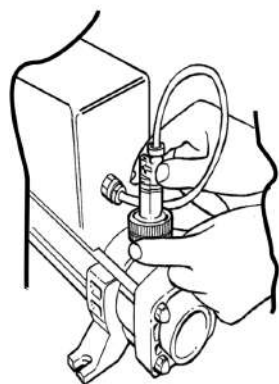
Saída de potência trifásica	400 V Star / 230 V Delta	Amperagem
6 - kW	400 / 230V	9 / 15
9 - kW	400 / 230V	13 / 23
12 - kW	400 / 230V	18 / 31
15 - kW	400 / 230V	22 / 38
18 - kW	400 / 230V	26 / 46
24 - kW	400	35

Requisitos de caudal

O aquecedor é configurado de fábrica para aceitar caudal com entrada à esquerda e saída à direita, este fluxo pode ser invertido rodando o comutador de fluxo 180° (meia volta – consultar a fig. 6).

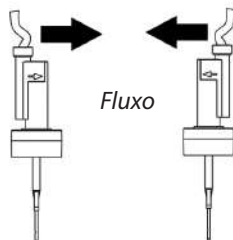
Aviso! A pá do comutador de fluxo pode ser danificada na inversão do sentido de fluxo caso seja levantada mais do que 5 mm do seu alojamento e rodada com força. Se o comutador de fluxo foi rodado, é importante garantir que se encontra bloqueado na orientação correcta, perpendicular (em ângulo recto) ao caudal de água.

Fig 6.

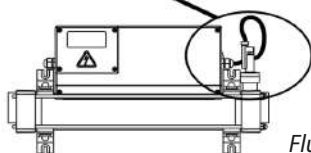


Para inversão do fluxo:
Desapertar a tampa e
rodar o comutador de fluxo
a 180 graus, conforme
ilustrado.

Garantir sempre que a
seta marcada no corpo
de plástico do comutador
de fluxo está no mesmo
sentido que o fluxo de água



Fluxo invertido
opcional



Fluxo configurado de fábrica

O caudal de água a entrar no aquecedor **não deve exceder 17 mil litros por hora** (3740 galões imperiais/hora). Um caudal superior irá requerer a instalação de uma derivação para evitar danos aos elementos do aquecedor. O aquecedor não irá funcionar excepto com os seguintes caudais **mínimos**:

1000 litros/hora (220 galões imperiais/hora) para 2 aquecedores de 2 ~ 6-kW
e 4000 litros/hora (880 galões imperiais/hora) para 9 aquecedores de 9 ~ 24-kW.

Qualidade da água

A qualidade da água deve estar dentro dos seguintes limites:

PH 6,8 a 8,0

TA (alcalinidade total) 80 a 140ppm (partes por milhão)

Conteúdo de cloreto MÁX.: 150 mg/litro

Cloro livre: 2,0 mg/litro

Bromo total: Máx, 4,5 mg/litro

TDS (sólidos dissolvidos totais) / Dureza de cálcio 200 a 1000ppm

Os aquecedores construídos em aço inoxidável **NÃO** são adequados para utilização em piscinas de água salgada. Apenas os aquecedores com elementos de aquecimento em titânio são adequados para piscinas de água salgada.

A análise química da água é complexa, em caso de dúvida, contactar um especialista.

Instruções de funcionamento

Após a finalização da instalação, ligar a bomba de água para purgar de ar o sistema e o aquecedor, ou seja, remover qualquer ar preso no sistema e no aquecedor.

DICA: Poderá auxiliar a saída de ar no tubo do aquecedor elevando ligeiramente a saída do aquecedor enquanto a bomba funciona. No arranque inicial do aquecedor, a luz âmbar deve acender.

O aquecedor apenas irá ligar-se (luz vermelha iluminada) com a luz âmbar desligada quando se reunirem as seguintes condições:

- A bomba de circulação de água está ligada e fornece um caudal mínimo de água (consultar informação de requisitos de caudal)
- O ponteiro de ajuste da temperatura está ajustado acima do valor de temperatura da água da piscina

Questão: Quanto tempo demorara para aquecer a minha piscina?

Resposta: Pressupondo a inexistência de perdas de calor e um aquecedor dimensionado com uma relação de 1.5-kW por 4545 litros (1000 galões imperiais) de água: demorara 2 dias de funcionamento contínuo para elevar a temperatura de uma piscina, desde a temperatura da água da torneira até à da piscina.

As perdas de calor atrasam o processo de aquecimento, especialmente em períodos de tempo frio, assim, quanto maior a diferença da temperatura da água a manter e a temperatura ambiente, mais lento será o processo de aquecimento.

PTOs únicos factores preponderantes são o nível de isolamento e a localização da piscina em relação ao abrigo do vento.

Conselho útil: *Para reduzir os custos de funcionamento e acelerar o processo de aquecimento, isolar a piscina, sempre que possível. Uma cobertura solar flutuante é um requisito mínimo para manter o calor.*

Teste de funcionamento rápido

Observar o contador eléctrico principal quando o aquecedor está ligado (luz vermelha ligada) e, depois, voltar a observá-lo com o aquecedor no modo de espera (com a luz amarela ligada). O teste deve demonstrar que o contador regista um consumo de electricidade superior quando o aquecedor é utilizado com a luz vermelha acesa.

É impossível um aquecedor eléctrico perder energia, se consome energia então esta é transformada em calor que será transferido para a água.

Teste de funcionamento rigoroso

Se for necessário um teste mais rigoroso para confirmação de que o aquecedor fornece o calor especificado, serão necessárias duas leituras do consumo no contador geral eléctrico da propriedade, com um intervalo exacto de uma hora (realizar duas leituras ao contador com um intervalo exacto de uma hora). Depois, pode ser calculado o consumo de quilowatts (kW) substraindo as duas leituras. Note que o aquecedor também é classificado em kW por hora.

A bomba da piscina e o aquecedor requerem o funcionamento contínuo durante o teste (luz vermelha acesa). Para evitar resultados imprecisos durante a realização do teste, é importante evitar a utilização de outros aparelhos de elevado consumo na propriedade (tais como, secador de roupa, chuveiros, fogão, etc.).

Uma bomba doméstica grande de 1 CV irá consumir menos de 1-kW no período de uma hora. A conclusão do teste deve demonstrar que, por exemplo, um aquecedor de 6-kW e uma bomba de ½ CV consomem entre 6.3-kW a 6.5-kW numa hora. É impossível um aquecedor eléctrico perder energia, se consome energia então esta é transformada em calor que será transferido para a água.

O AQUECEDOR NÃO COMUTA DO MODO DE ESPERA (LUZ ÂMBAR) PARA LIGADO (LUZ VERMELHA)

Na maioria dos casos, tal acontece pois um dos seguintes pontos não é cumprido.

1ª Causa possível: O ponto de ajuste da temperatura foi atingido.
Para o confirmar – aumente o valor do ajuste de temperatura rodando o ponteiro de ajuste da temperatura para um valor superior ao actual.

2ª Causa possível: O termóstato de limite superior disparou.

Solução: Remova a tampa do botão e prima o botão vermelho para o restabelecer (ver figura 7).

Se for sentida uma prisão, a causa do disparo deve ser investigada; esta pode ser a acumulação de detritos ou a existência de uma bolsa de ar no interior do tubo do aquecedor.

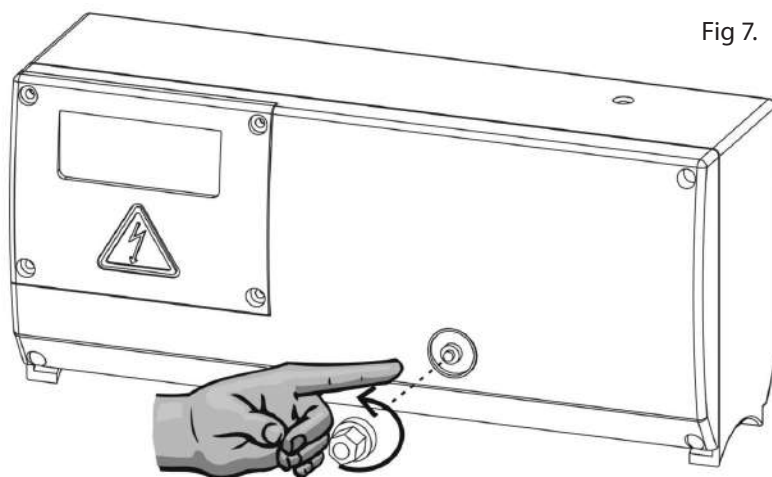


Fig 7.

3ª Causa possível: Caudal insuficiente.

Se utilizar um filtro de cartucho: Confirme fazendo funcionar o sistema com o cartucho removido da bomba e da unidade do filtro, o aquecedor terá um caudal com a capacidade máxima da unidade. Se o aquecedor se ligar assim (a luz vermelha acende-se) então a causa confirma o bloqueio do cartucho. O cartucho deve ser limpo ou substituído.

Se utilizar um filtro de areia: Verifique o indicador de pressão no filtro de areia e lave por trás se necessário.

Nota: Em alguns casos pode haver associação entre o disparo do termóstato de limite superior e um caudal baixo. Por exemplo, quando um filtro se entope, pode entrar ar para o sistema de filtragem e ficar preso no interior do aquecedor, causando o disparo do termóstato.

NÃO EXISTEM LUZES ACESAS NO AQUECEDOR QUANDO ESTE É LIGADO

Causa possível: Falha de alimentação externa (ao aquecedor)

Solução: Verifique os fusíveis, RCD (dispositivo de protecção diferencial residual) ou outros componentes instalados no cabo de alimentação.

Nota: O aquecedor não é equipado com um fusível.

O TUBO DE SAÍDA NÃO ESTÁ QUENTE

Devido à elevada eficiência do aquecedor eléctrico, não é detectado calor no tubo de saída do aquecedor.

As causas mais prováveis para que o tubo de saída esteja quente são:

1ª Causa possível: O aquecedor está exposto à luz solar.

2ª Causa possível: Existe uma bolsa de ar presa no interior do aquecedor, especialmente se o reservatório estiver mais quente no seu ponto mais elevado (o ar sobe).

A ÁGUA QUE ENTRA NA MINHA PISCINA NÃO PARECE MUITO QUENTE

O ganho de temperatura na água, após a sua passagem pelo aquecedor, é directamente proporcional ao volume de água a ser bombeado em relação à potência de saída do aquecedor.

Por exemplo: Um aquecedor de 6-kW, quando ligado a uma bomba de 4000 l/hora, irá produzir uma aumento de temperatura de cerca de 1.2°C (quase indetectável pela mão do homem), no entanto, como a água está a ser recirculada de uma massa única de água, o tempo necessário para a aquecer permanece inalterado pelo volume de fluxo. Um erro comum é pensar-se que a redução do caudal irá acelerar o processo de aquecimento.

Declaração de conformidade de RoHS

A Elecro Engineering Limited certifica que a nossa gama de Aquecedor Eléctrico de Piscinas se encontra em conformidade com a Directiva RoHS 2002/95/CE de restrição de substâncias perigosas.

Resíduos de equipamento eléctrico / electrónico

Este produto cumpre a directiva da UE 2002/96/CE

Não eliminar componentes deste produto nos resíduos sólidos urbanos.

Este símbolo no produto ou na sua embalagem indica que o produto não deve tratado como resíduos domésticos. Pelo contrário, deve ser depositado num ponto de recolha de electrodomésticos para reciclagem de equipamento eléctrico e electrónico.

Ao garantir a eliminação correcta deste produto, ajuda a prevenir potenciais consequências negativas para o ambiente e a saúde humana, as quais, de outra forma, poderiam resultar do depósito inapropriado desde produto. Os materiais reciclados ajudam à conservação dos recursos naturais. Para mais informações, contacte por favor as autoridades locais, o serviço de recolha de lixo ou o ponto de venda do produto.



O aquecedor tem uma garantia, válida desde a data de compra, contra defeitos de material e mão-de-obra. Por exemplo, garantia de 2 anos para os produtos do elemento de aquecimento em liga de níquel (Incoloy) e garantia de 3 anos para os produtos do elemento de aquecimento em titânio.

O fabricante é responsável por substituir ou reparar, conforme entenda, quaisquer unidades ou componentes danificados que sejam apresentados à empresa para inspecção.

É necessária apresentação da prova de compra. O fabricante não é responsável nos casos de incorrecta instalação do aquecedor, uso indevido ou negligente.

Declaração de conformidade CE

O fabricante declara que a gama e produtos abaixo indicados

GAMA DE AQUECEDORES ELÉCTRICOS DE PISCINA

são conformes às seguintes disposições:

Directiva 89/336/CEE, COMPATIBILIDADE ELECTROMAGNÉTICA, conforme alteração pela 93/068/CEE. Controlado pelo laboratório AEMC Measures — relatório técnico n.º P96045T

Aplicam-se as seguintes normas padronizadas: EN 55014—EN 55104

EN 55011

EN 55022

CEI 801-4

CEI 801-2

CEI 801-3

da Directiva de baixa tensão 73/23/EEC.

Aplicam-se as normas padronizadas

EN 60335-2-35

Note importanti!

Grazie per aver acquistato il riscaldatore elettrico diretto EVO per piscine, prodotto in Inghilterra nel rispetto degli standard più alti.

Per garantire una durata sicura e prolungata del vostro riscaldatore, **si prega di leggere attentamente le istruzioni che seguono.**
L'installazione scorretta comporta problemi di garanzia.

Non buttare via questo manuale e conservarlo per l'utilizzo futuro.

Visione d'insieme del prodotto

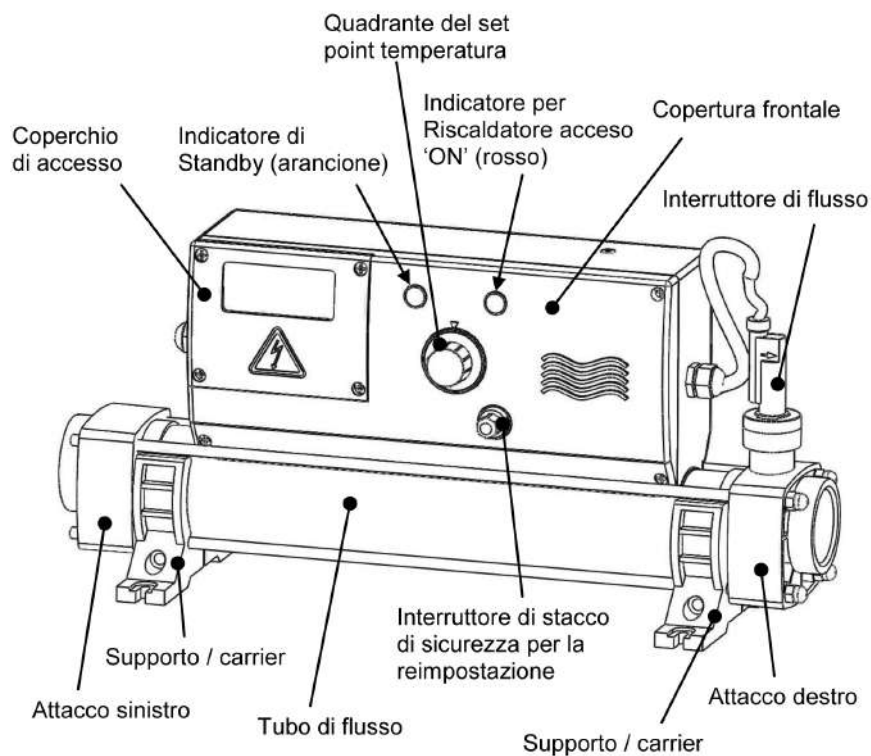


Fig 1.

Posizionamento

Il riscaldatore deve essere posizionato orizzontalmente o verticalmente, consentendo spazio sufficiente per il collegamento dei tubi e deve essere ben fissato a una base stabile o a parete.

NOTA: Vedere figura 2 per dettagli sulla sistemazione della base, quando si fissa il riscaldatore a pavimento o a muro.

Posizione base per montaggio a parete

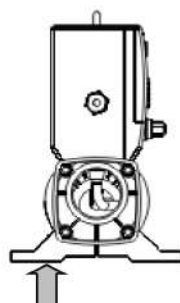
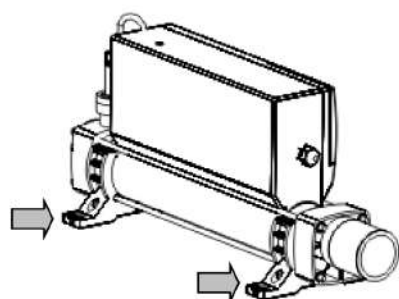
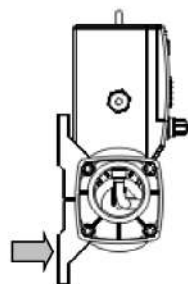
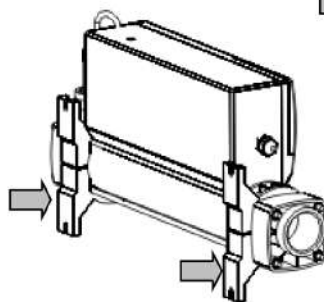


Fig 2.

Posizione della base per impostazione di fabbrica

Per reimpostare l'opzione a muro, svitare i bulloni e rimontare in posizione verticale, come mostrato.



Posizione base per montaggio a parete

Il riscaldatore deve essere installato in un punto basso, all'interno del sistema di filtraggio. Dovrebbe essere posizionato a valle (dopo) del filtro e a monte (prima) di qualsiasi dosaggio o sostanza per il trattamento dell'acqua. (vedere fig. 3).

NOTE: Se viene invertita la seguente direzione (spiegata più avanti in questo manuale) il riscaldatore deve rimanere posizionato dopo il filtro.

Fig 3.

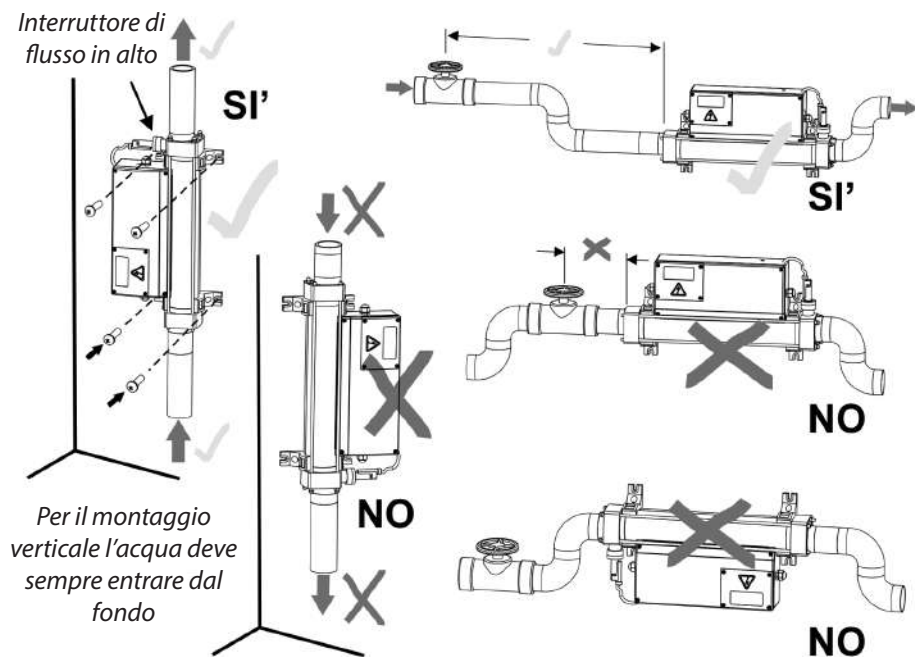
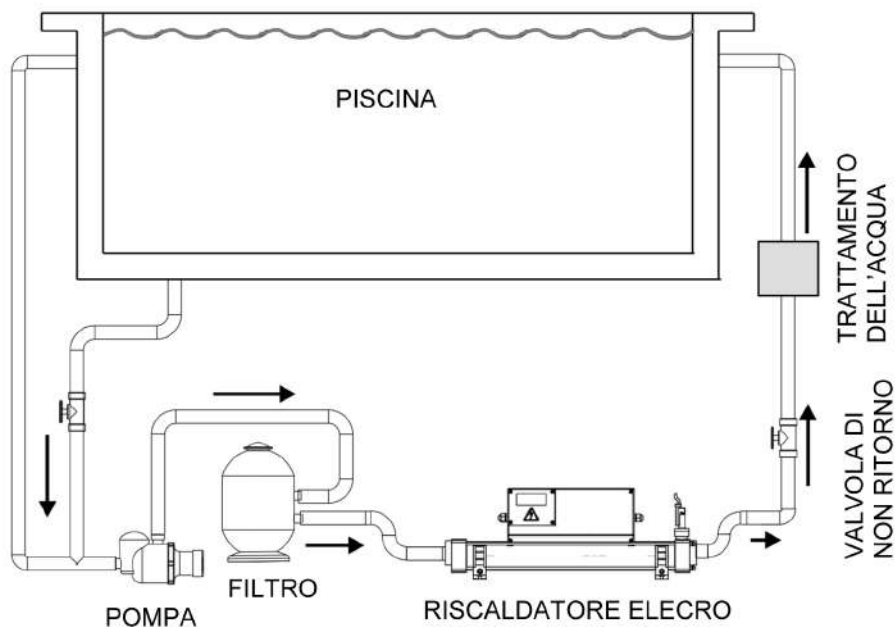


Fig 4.

Tubatura

È essenziale che la tubatura collegata con il riscaldatore abbia un minimo foro (diametro interno) di 1¼" (32mm). Per una corretta eliminazione dell'acqua e per assicurare che il riscaldatore rimanga completamente pieno di acqua durante il funzionamento, il tubo di ritorno che riporta l'acqua nella piscina deve avere un anello di sicurezza o 'kick-up', il più vicino possibile al riscaldatore (vedere fig 4)

NOTA: Quando si unisce un tubo flessibile, l'anello di sicurezza può facilmente essere creato mettendo il tubo rivolto verso l'alto e quindi avvolto intorno a un ostacolo. Ricordarsi di usare le apposite clip per chiudere in modo sicuro tutti i collegamenti.

Protezione atmosferica

Il riscaldatore deve essere installato con un tempo asciutto e privo di precipitazioni atmosferiche di alcun tipo.

Attenzione! *Se il riscaldatore non viene usato nei mesi invernali deve essere svuotato per prevenire il congelamento e i relativi danni.*

Collegamento elettrico

Il riscaldatore deve essere installato nel rispetto dei requisiti e delle normative regionali/locali. I lavori devono sempre essere eseguiti da un tecnico esperto/elettricista qualificato, che fornirà un certificato di conformità, dopo il completamento dei lavori.

L'alimentazione elettrica deve disporre di un RCD. Se necessario, l'elettricista può sostituire l'entrata del cavo fornito con una di dimensione maggiore, per garantire l'alimentazione del riscaldatore; questa operazione non condizionerà la garanzia, solo se verrà eseguita da un elettricista qualificato.

Sezione del cavo: deve essere calcolata a 5-amp / mm² per distanze fino a 20 metri (queste sezioni sono indicative e devono essere controllate e adattate, se necessario, alla lunghezza di cavi oltre i 20 metri).

Rimuovere tutte le coperture
per eseguire i collegamenti
elettrici
(Solo elettricisti qualificati)

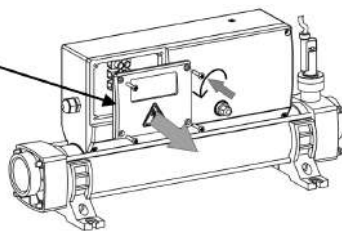


Fig 5.

Requisiti di potenza

Uscita	Voltaggio (V)	Amp
2 - kW	230	9
3 - kW	230	13
4.5 - kW	230	20
6 - kW	230	27
9 - kW	230	40
12 - kW	230	53
15 - kW	230	66
18 - kW	230	79

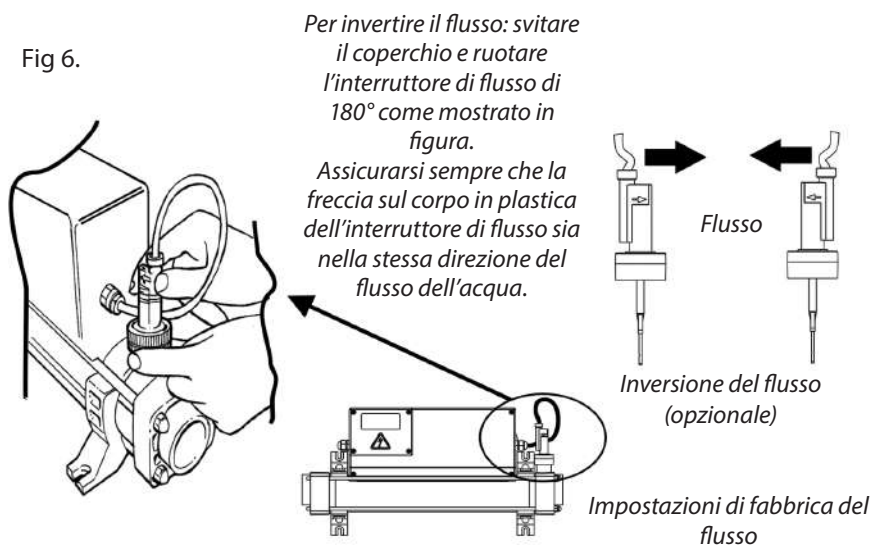
Uscita trifase	400 V Star / 230 V Delta	Amp
6 - kW	400 / 230V	9 / 15
9 - kW	400 / 230V	13 / 23
12 - kW	400 / 230V	18 / 31
15 - kW	400 / 230V	22 / 38
18 - kW	400 / 230V	26 / 46
24 - kW	400	35

Requisiti di flusso

Il riscaldatore è impostato per accettare input di flusso dell'acqua dalla sinistra e uscita a destra; questa impostazione può essere invertita ruotando l'interruttore di flusso di 180 gradi (es: ½ giro, vedere fig 6)

Attenzione! La manopola dell'interruttore di flusso può rovinarsi durante le operazioni di inversione della direzione di flusso, se viene sollevata di più di 5 mm dalla sua posizione e se viene girata con troppa forza. Se l'interruttore di flusso è stato ruotato è importante assicurarsi che sia bloccato perpendicolarmente (con la corretta angolazione) al flusso dell'acqua.

Fig 6.



Il tasso di flusso dell'acqua nel riscaldatore **non deve superare i 17,000 litri all'ora** (3,740 galloni all'ora) Per un flusso maggiore **bisogna** installare un bypass per evitare di danneggiare gli elementi del riscaldatore. Il riscaldatore non funzionerà, a meno che non siano raggiunti i seguenti valori **minimi** es:

1,000 litri / ora (220 galloni/ora) per riscaldatori da 2 ~ 6-kW e 4,000 litri / ora (880 galloni/ora) per riscaldatori da 9 ~ 24-kW.

Qualità dell'acqua

La qualità dell'acqua deve rientrare nei seguenti limiti:

PH 6.8 - 8.0

TA (alcalinità totale) 80—140ppm (parti per milione)

Contenuto di cloruro MAX: 150 mg/litro

Cloruro libero: 2.0 mg/litro

Bromo totale: Max 4.5 mg/litro

TDS (Solidi totali disciolti) / Durezza del calcio 200— 1,000ppm

I riscaldatori in acciaio INOX NON devono essere usati per piscine ad acqua salata. Solo i riscaldatori con elementi in titanio possono essere usati in piscine salate.

La chimica dell'acqua è complicata, se in dubbio chiedere consiglio a un esperto.

Dopo aver completato l'installazione, attivare la pompa di circolazione dell'acqua per pulire il sistema e il riscaldatore da eventuale aria residua (rimuovere tutta l'aria residua all'interno del sistema e del riscaldatore).

CONSIGLIO: è possibile facilitare la fuoriuscita dell'aria dal tubo di flusso sollevando delicatamente la porta di uscita del riscaldatore mentre la pompa è in funzione.

Durante l'accensione iniziale del riscaldatore, dovrebbe accendersi l'indicatore arancione.

Il riscaldatore passerà allo stato 'On' (indicatore rosso acceso) e la luce arancione si spegnerà in posizione di 'Off' solo quando vengono raggiunti i seguenti criteri es:

- La pompa di circolazione dell'acqua è 'On' e garantisce un flusso di acqua maggiore di quello indicato come minimo (consultare le informazioni sui requisiti di flusso)
- Il quadro della temperatura è impostato a un valore più alto rispetto a quello dell'acqua

Q: Quanto tempo è necessario per riscaldare la mia piscina?

A: **Assumendo che non vi sia alcuna perdita di calore** e che si utilizzi un riscaldatore con le seguenti misure 1.5-kW per 4,545 litri di acqua: il tempo necessario è di 2 giorni di scorrimento continuo per aumentare la temperatura dell'acqua della piscina.

Un'eventuale perdita di calore rallenterà il processo di riscaldamento, soprattutto durante il periodo invernale; per questo motivo più la temperatura deve essere mantenuta al di sopra della temperatura ambiente media, più lento sarà il processo di riscaldamento.

Consiglio utile: per ridurre i costi di funzionamento e velocizzare il processo di riscaldamento, isolare la piscina quando possibile.

Una copertura solare è essenziale per il mantenimento del calore.

Test veloce di funzionamento

Osservare il metro principale dell'elettricità quando il riscaldatore è acceso (luce rossa), quindi osservarlo di nuovo quando si trova in modalità di standby (luce arancione). Il test dovrebbe mostrare che il metro sta registrando una maggiore elettricità utilizzata dal riscaldatore in modalità 'On'.

È impossibile che un riscaldatore elettrico disperda energia, se sta assorbendo alimentazione, questa verrà trasformata in calore e trasferita all'acqua.

Test accurato di funzionalità

Nel caso in cui fosse necessario un test più accurato delle funzionalità, per verificare che il riscaldatore stia effettivamente rilasciando la quantità di calore specificata, sarà necessario registrare due letture elettriche (a distanza di un'ora l'una dall'altra); sottraendo la prima dalla seconda può essere calcolato il numero di unità (kilo watts kW) consumate. Fare attenzione che il riscaldatore è anche misurato in kW orari.

La pompa della piscina e il riscaldatore dovranno essere costantemente attivi durante il test (la luce deve essere rossa su 'On'). Per evitare risultati non accurate durante l'esecuzione del test è importante evitare di utilizzare altre apparecchiature elettriche (come asciugatori, docce o forni) La pompa di una piscina domestica grande di 1 cavallo vapore utilizzerà meno di 1kW in un'ora.

La conclusione del test deve provare che, per esempio, un riscaldatore da 6kW e una pompa da ½ cavallo vapore utilizzeranno tra 6.3-kW ~ 6.5-kW in un'ora. È impossibile che un riscaldatore elettrico disperda energia, se sta assorbendo alimentazione, questa verrà trasformata in calore e trasferita all'acqua.

IL RISCALDATORE NON PASSA DALLA POSIZIONE DI STANDBY (LUCE ARANCIONE) A QUELLA DI 'ON' (LUCE ROSSA)

Nella maggior parte dei casi questo sarà il risultato di uno dei seguenti requisiti non rispettati.

Possibile causa 1: *La temperatura desiderata è stata raggiunta. Per confermare—aumentare il valore desiderato girando il quadro di impostazione della temperatura su un valore maggiore rispetto a quello corrente.*

Possibile causa 2: *è scattato il termostato per l'alta temperatura.*

Soluzione: rimuovere la copertura e premere il pulsante rosso per riavviare (vedere fig. 7).

Se si sente un clic, la causa dello scatto deve essere investigata ulteriormente e può essere causata da un accumulo di detriti o da una sacca dell'aria incastrata dentro il tubo di flusso del riscaldatore.

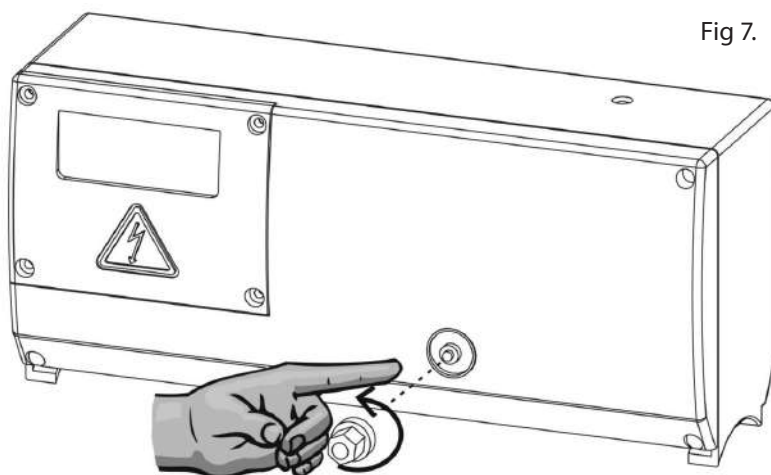


Fig 7.

Possibile causa 3: *Flusso insufficiente.*

Se si utilizza un filtro a cartuccia: confermare avviando il sistema con la cartuccia rimossa dall'unità pompa/filtro; così facendo si fornirà al riscaldatore il flusso massimo che può essere supportato dall'unità. Se il

riscaldatore passa in modalità 'On' (luce rossa accesa) si può confermare che il blocco era causato dalla cartuccia bloccata. La cartuccia deve essere pulita o sostituita.

Se si utilizza un filtro a sabbia: Controllare l'indicatore di pressione sul filtro e lavarlo se necessario.

NOTA: in alcuni casi il termostato si blocca e questo può causare una diminuzione del flusso; es. Quando un filtro è pieno, l'aria può entrare nel sistema di filtraggio e rimanere quindi all'interno del riscaldatore causando il blocco del termostato.

NON APPARE ALCUNA LUCE SUL RISCALDATORE QUANDO VIENE MESSO SU 'ON'

Possibile causa: *Guasto di alimentazione esterno al riscaldatore*

Soluzione: controllare i fusibili, RCD o altri componenti dell'interruttore in stallati nel cavo di alimentazione.

Nota: il riscaldatore non è provvisto di fusibile.

IL TUBO DI FLUSSO NON È CALDO

Grazie all'altissima efficienza dei nostri riscaldatori, non dovrebbe rilevarsi alcun calore dal tubo di flusso.

Le cause più probabili che porterebbero il tubo di flusso a riscaldarsi sono:

Possibile causa 1: *il riscaldatore è stato posizionato alla luce diretta del sole.*

Possibile causa 2: *una sacca dell'aria è incastrata all'interno del riscaldatore, soprattutto se il serbatoio è più caldo nel suo punto più alto (dove sale l'aria)*

L'ACQUA DELLA PISCINA NON SEMBRA RISCALDARSI

L'aumento di temperatura dell'acqua dopo il passaggio nel riscaldatore sarà direttamente proporzionale al volume dell'acqua pompata, in relazione alla potenza di uscita del riscaldatore.

Per esempio: un riscaldatore da 6-kW, quando collegato a una pompa da 4,000 litri / ora, produrrà un aumento di temperatura di approssimativamente 1.2 C (quasi non percepibile all'uomo) tuttavia, dato che l'acqua riscaldata viene rimessa in circolo da un corpo singolo di acqua, il tempo necessario per il riscaldamento non viene condizionato dal

volume del flusso. Un errore comune è che, rallentando il flusso, si velocizzi il processo di riscaldamento.

Dichiarazione di conformità RoHS

Elecro Engineering Limited certifica che la linea di riscaldatori Electric Swimming Pool Heater Range è conforme alla Direttiva RoHS 2002/95/EC per la diminuzione delle sostanze pericolose.

Smaltimento di apparecchiature elettriche ed elettroniche

Questo prodotto è conforme alla direttiva EU 2002/96/EC

Non smaltire questo prodotto nei rifiuti indifferenziati.

Questo simbolo sul prodotto o sull'imballaggio indica che questo prodotto non deve essere trattato come un rifiuto di tipo domestico. Deve essere portato in apposite discariche per il riciclaggio dei materiali elettrici ed elettronici.

Assicurandosi che questo prodotto venga smaltito correttamente, si aiuterà a prevenire possibili conseguenze dannose sull'ambiente e sulla salute umana, che possono verificarsi in caso di smaltimento errato. Il riciclaggio dei materiali aiuterà a conservare risorse naturali. Per ulteriori informazioni, contattare il proprio Ufficio comunale, il proprio servizio rifiuti o il rivenditore dal quale si è acquistato il prodotto.



Il vostro riscaldatore è garantito dalla data di acquisto per eventuali difetti di lavorazione e di materiale, es: 2 anni di garanzia per prodotti con elementi di riscaldamento incoloy e 3 anni di garanzia per prodotti con elementi di riscaldamento in titanio.

Il produttore sostituirà o riparerà, a sua discrezione, qualsiasi unità o componente difettoso che venga rimandato alla compagnia per l'ispezione.

Potrebbe essere richiesta la prova di acquisto. Il produttore non sarà responsabile in caso di installazione sbagliata del riscaldatore, di utilizzo inappropriato o negligenza.

Dichiarazione di conformità CE

Il produttore dichiara che i prodotti oggetto di questo documento o le linee

LINEA RISCALDATORI ELETTRICI PER PISCINE

Sono in conformità con le seguenti previsioni:

COMPATIBILITA' ELETTROMAGNETICA direttiva 89/336/EEC, come da 93/068/EEC. Controllato dal laboratorio di misurazione AEMC—numero tecnico P96045T

Sono stati applicati gli standard armonizzati: EN 55014—EN 55104

EN 55011

EN 55022

CEI 801-4

CEI 801-2

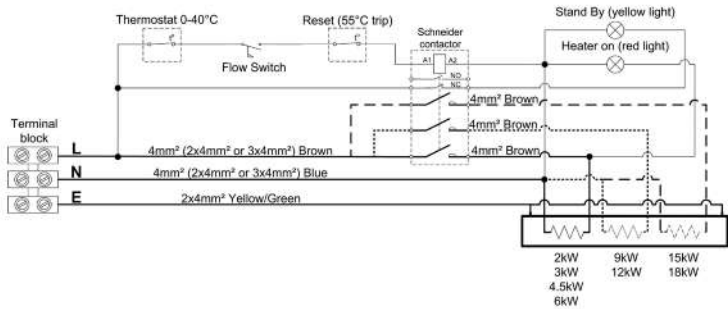
CEI 801-3

della direttiva per il BASSO VOLTAGGIO 73/23/EEC.

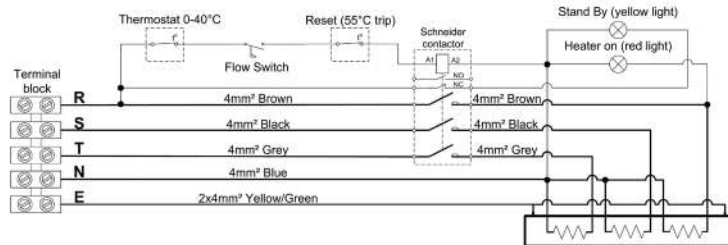
Sono stati applicati gli standard armonizzati

EN 60335-2-35

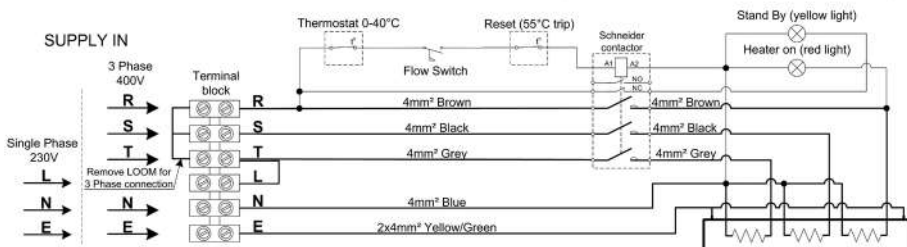
800 EVO Single Phase 230V



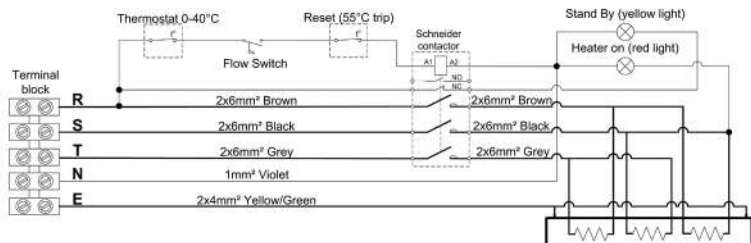
800 EVO 3 Phase 400V (6,9,12,15,18kW)



800 EVO 3 Phase 400V/ Single Phase 230V (6,9,12kW)



800 EVO 3 Phase 400V (24kW delta)





11 Gunnels Wood Park | Stevenage | Hertfordshire | SG1 2BH | United Kingdom

t: +44 (0) 1438 749 474 | f: +44 (0) 1438 361 329 | e: info@elecra.co.uk

www.elecra.co.uk